

# SMA-SMA M/M LOW EMI ADAPTER

SM4965

## SPECIFICATIONS

**ELECTRICAL**  
 50 OHMS  
 VSWR 1.20:1 MAX @ 18 GHZ  
 FREQUENCY: 0-18 GHZ  
 LOW EMI (NO EPOXY HOLE)

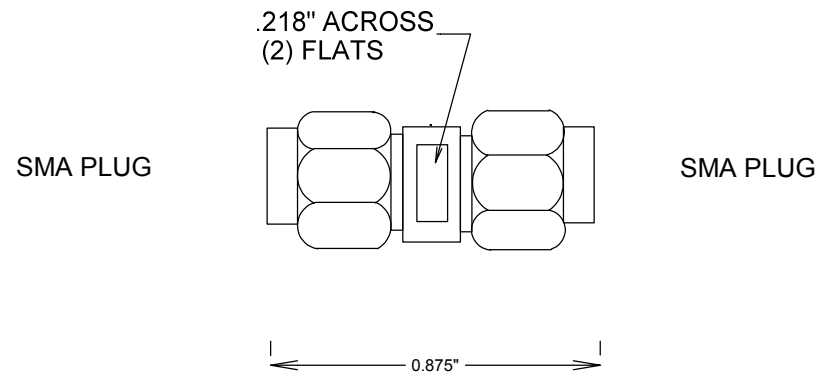
**MECHANICAL**  
 500 CYCLES MIN  
 7-10 LBS COUPLING NUT MATING TORQUE

**ENVIRONMENTAL**  
 -55 DEG C TO +110 DEG C  
 CORROSION: MIL-STD 202  
 VIBRATION: MIL-STD 202

**MATERIALS** PASSIVATED STAINLESS STEEL  
 BODY: PASSIVATED S STEEL  
 CONTACTS: BeCu  
 CONTACT PLATING: Au per MIL-G-45204

INTERFACE: MIL-STD-348A

ROHS COMPLIANT



NO EPOXY HOLE

				<b>FAIRVIEW MICROWAVE INC.</b>	
				ALLEN, TX 75013 WWW.FAIRVIEWMICROWAVE.COM	
				TITLE	
				<b>SMA-SMA M/M LOW EMI ADAPTER</b>	
SIZE	CAGE CODE	DWG NO	REV		
<b>A</b>	3FKR5	<b>SM4965</b>	--		
SCALE			SHEET		