

# SMA/SMA BRASS BULKHEAD ADAPTER 18GHZ

SM4934

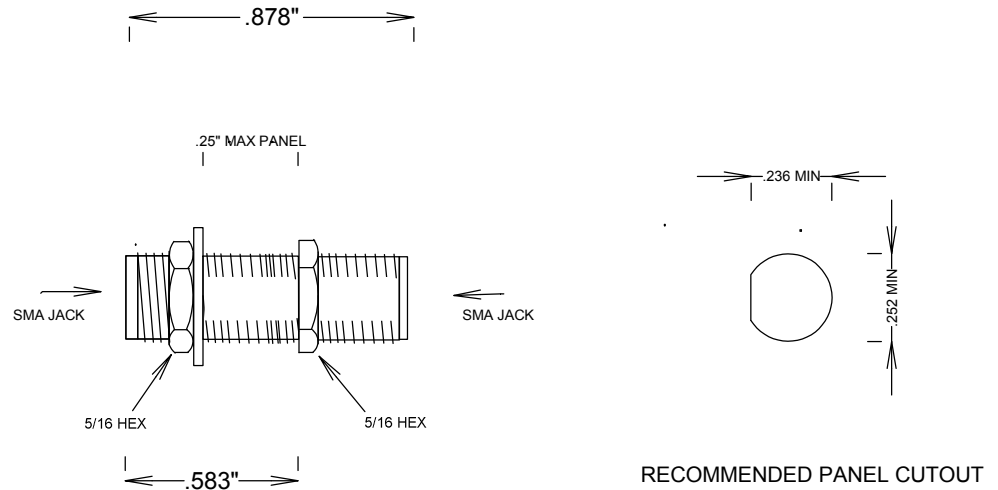
## SPECIFICATIONS

**ELECTRICAL**  
 50 OHMS  
 VSWR 1.20:1 MAX @ 18 GHZ  
 FREQUENCY: 0-18 GHZ

**MATERIALS**  
 BODY: Au PLATED BRASS  
 CENTER CONTACTS BeCu  
 PLATING CONTACTS: Au PER MIL-G-45204  
 PLATING BODY: Au 3μ"

INTERFACE: MIL-STD-348A

ROHS COMPLIANT



				<b>FAIRVIEW MICROWAVE INC.</b>	
				ALLEN, TX 75013 <a href="http://WWW.FAIRVIEWMICROWAVE.COM">WWW.FAIRVIEWMICROWAVE.COM</a>	
				TITLE	
				SMA/SMA BRASS BULKHEAD ADAPTER 18GHZ	
SIZE	CAGE CODE	DWG NO		REV	
<b>A</b>	<b>3FKR5</b>	<b>SM4934</b>		--	
SCALE			SHEET		