

SMA/M - SMA/F BULKHEAD ADAPTER

SM4927

SPECIFICATIONS

ELECTRICAL

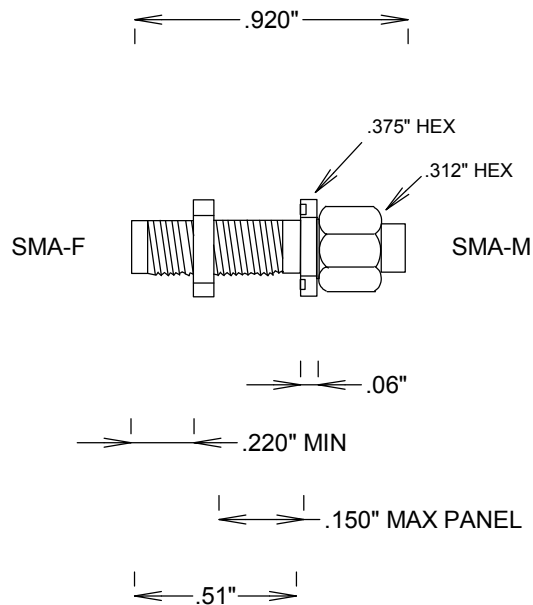
FREQUENCY: 0-18 GHZ
 IMPEDANCE: 50 OHMS
 VSWR: 1.20:1 MAX

MECHANICAL

MATERIALS BODY PASS. STAINLESS STEEL
 MATERIALS CONTACTS BeCu
 PLATING CONTACTS: Au PER MIL-G-45204
 DURABILITY: 500 CYCLES MIN
 INSULATOR: TEFLON
 INTERFACE: MIL-STD-348A

STORAGE TEMP: -65°+165 °C
 OPERATING TEMP: -55°+120 °C

ROHS COMPLIANT



SUPPLIED WITH GASKET & NUT

RECOMMENDED PANEL CUTOUT

				FAIRVIEW MICROWAVE INC.	
				ALLEN, TX 75013 WWW.FAIRVIEWMICROWAVE.COM	
				TITLE	
				SMA/M - SMA/F BULKHEAD ADAPTER	
SIZE	CAGE CODE	DWG NO		REV	
A	3FKR5	SM4927		C	
SCALE			SHEET		