

SMA/F-TNC/M/QR ADAPTER

SM4769

SPECIFICATIONS

ELECTRICAL

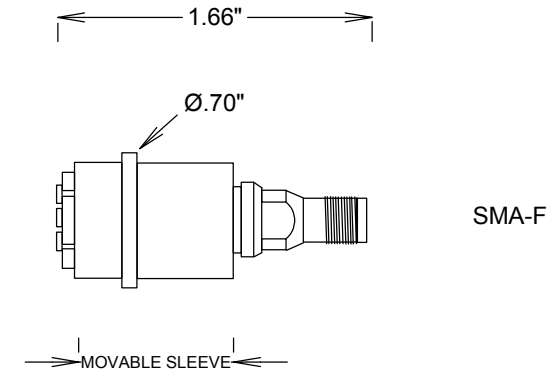
FREQUENCY: 0-11 GHZ
 IMPEDANCE: 50 OHMS
 VSWR: 1.25:1 MAX @ 11GHZ

MECHANICAL

MATERIAL TNC BODY: NICKLE PLATED BRASS
 MATERIAL SMA BODY: PASSIVATED S STEEL
 MATERIALS CONTACTS MALE BRASS; FEMALE BeCu
 PLATING CONTACTS: Au MIL-G-45204
 DURABILITY: 500 CYCLES MIN
 INSULATOR: TEFLON
 INTERFACE: MIL-STD-348A
 TEMPERASTURE: -55 TO +125° C

ROHS COMPLIANT

TNC MALE
 QUICK RELEASE



TNC-MALE QUICK RELEASE
 TO ATTACH, SLIDE SM4769 OVER TNC FEMALE,
 THEN MOVE SLEEVE OVER TNC FEMALE.
 TO RELEASE, MOVE SLEEVE OTHER WAY

				FAIRVIEW MICROWAVE INC.	
				ALLEN, TX 75013 WWW.FAIRVIEWMICROWAVE.COM	
				TITLE	
				SMA/F-TNC/M/QR ADAPTER	
SIZE		CAGE CODE	DWG NO	REV	
A		3FKR5	SM4769	--	
SCALE			SHEET		