

# SMA/F-TNC/F 18GHZ BULKHEAD ADAPT.

SM4759

## SPECIFICATIONS

### ELECTRICAL

FREQUENCY: 0-18 GHZ  
 IMPEDANCE: 50 OHMS  
 VSWR: 1.15:1 MAX

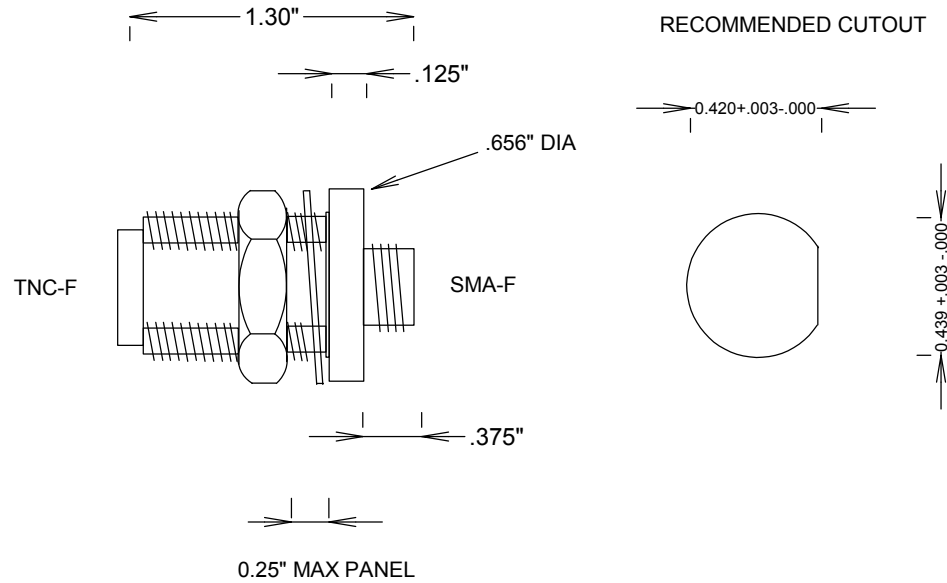
### MECHANICAL

MATERIALS BODY PASS STAINLESS STEEL  
 MATERIALS CONTACTS BeCu  
 CONTACT PLATING: Au PER MIL-G-45204  
 INSULATOR: TEFLON  
 INTERFACE: MIL-STD-348B  
 DURABILITY: 500 CYCLES MIN

### ENVIRONMENTAL

CORROSION MIL-STD-202  
 VIBRATION MIL-STD-202  
 SHOCK MIL-STD-202

ROHS COMPLIANT



				<b>FAIRVIEW MICROWAVE INC.</b>			
				ALLEN, TX 75013 WWW.FAIRVIEWMICROWAVE.COM			
				TITLE			
				SMA/F-TNC/F 18GHZ BULKHEAD ADAPT.			
SIZE		CAGE CODE		DWG NO		REV	
A		3FKR5		SM4759		A	
SCALE				SHEET			