

# SMA/F-TNC/F BULKHEAD ADAPTER

SM4757

## SPECIFICATIONS

### ELECTRICAL

FREQUENCY: 0-11 GHZ  
 IMPEDANCE: 50 OHMS

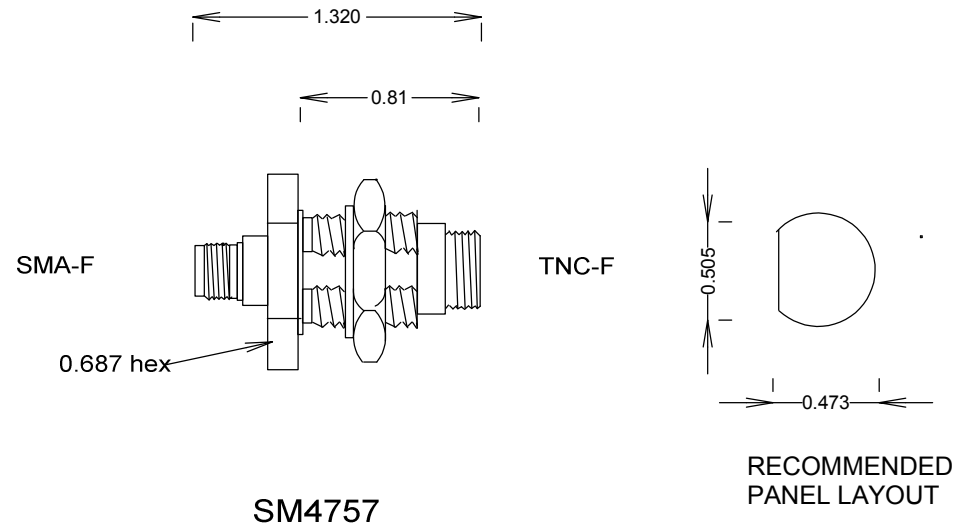
### MECHANICAL

MATERIALS BODY Ni PLATED BRASS  
 MATERIALS CONTACTS BeCu  
 CONTACT PLATING: Au PER MIL-G-45204  
 DURABILITY: 500 CYCLES MIN

### ENVIRONMENTAL

CORROSION MIL-STD-202  
 VIBRATION MIL-STD-202  
 SHOCK MIL-STD-202

### ROHS COMPLIANT



				<b>FAIRVIEW MICROWAVE INC.</b>	
				ALLEN, TX 75013 <a href="http://WWW.FAIRVIEWMICROWAVE.COM">WWW.FAIRVIEWMICROWAVE.COM</a>	
				TITLE	
				SMA/F-TNC/F BULKHEAD ADAPTER	
		SIZE	CAGE CODE	DWG NO	REV
		<b>A</b>	<b>3FKR5</b>	<b>SM4757</b>	<b>A</b>
				SCALE	SHEET