

SMA/F-TNC/F FLANGE 11GHZ ADAPTER

SM4756

SPECIFICATIONS

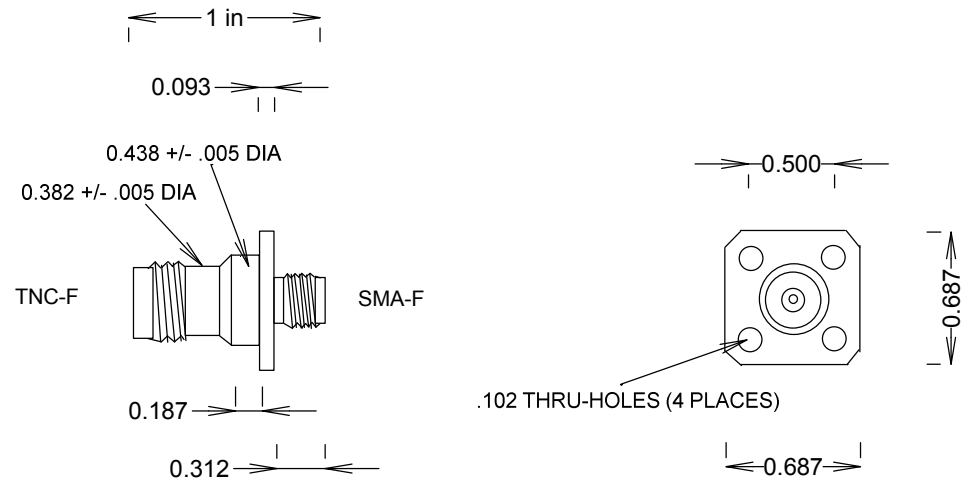
ELECTRICAL

FREQUENCY: 0-11 GHZ
 IMPEDANCE: 50 OHMS
 VSWR: 1.25:1 MAX
 VRMS: 250 V SEA LEVEL

MECHANICAL

MATERIALS BODIES: NICKEL PLATED BRASS
 CONTACT PLATING: Au PER MIL-G-45204
 DIELECTRIC: TFE FLUOROCARBON

ROHS COMPLIANT



				FAIRVIEW MICROWAVE INC.	
				ALLEN, TX 75013 WWW.FAIRVIEWMICROWAVE.COM	
				TITLE	
				SMA/F-TNC/F FLANGE 11GHZ ADAPTER	
SIZE	CAGE CODE	DWG NO			
A	3FKR5	SM4756			
SCALE			SHEET		REV --