

# SMA/M-TNC/F FLANGE 11GHZ ADAPTER

SM4748

## SPECIFICATIONS

### ELECTRICAL

FREQUENCY: 0-11 GHZ  
 IMPEDANCE: 50 OHMS  
 VSWR: 1.25:1 MAX  
 VRMS: 335 V SEA LEVEL

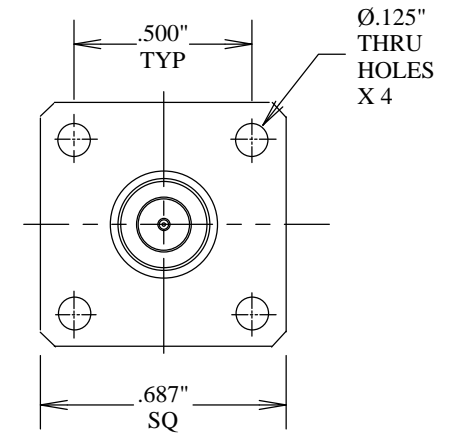
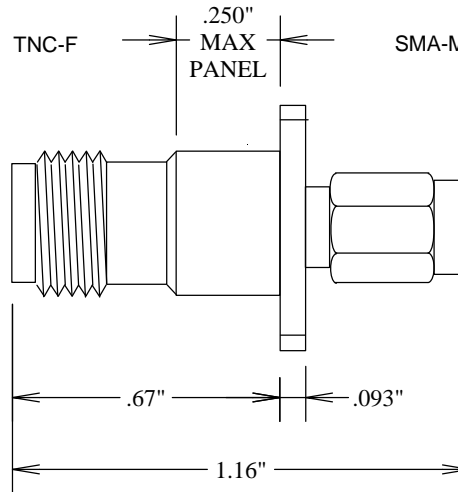
### MECHANICAL

MATERIALS SMA BODY: PASS. STAINLESS STEEL  
 MATERIALS TNC BODY: NICKEL PLATED BRASS  
 CONTACTS: BeCu  
 CONTACT PLATING: Au per MIL-G-45204  
 DIELECTRIC: TEFLON

### ENVIRONMENTAL

OPERATING TEMPERATURE RANGE: -65°C TO +165°C

ROHS COMPLIANT



				<b>FAIRVIEW MICROWAVE INC.</b>	
				ALLEN, TX 75013 <a href="http://WWW.FAIRVIEWMICROWAVE.COM">WWW.FAIRVIEWMICROWAVE.COM</a>	
				TITLE	
				<b>SMA/M-TNC/F FLANGE 11GHZ ADAPTER</b>	
		SIZE	CAGE CODE	DWG NO	REV
		<b>A</b>	3FKR5	<b>SM4748</b>	--
				SCALE	SHEET