

SMA/F-TNC/F BULKHEAD ADAPTER

SM4743

SPECIFICATIONS

ELECTRICAL

FREQUENCY: 0-11 GHZ
 IMPEDANCE: 50 OHMS

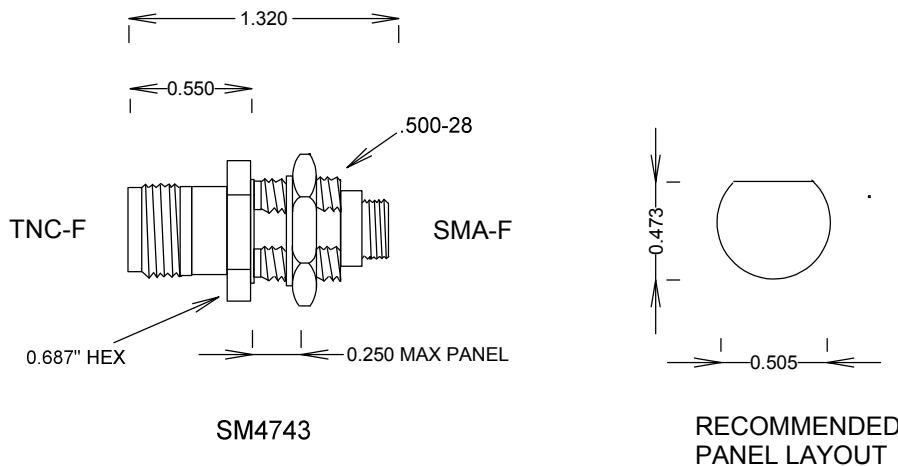
MECHANICAL

MATERIALS SMA BODY PASSIVATED S. STEEL
 MATERIALS TNC BODY Ni PLATED BRASS
 MATERIALS CONTACTS BeCu
 CONTACT PLATING: Au PER MIL-G-45204
 DURABILITY: 500 CYCLES MIN

ENVIRONMENTAL

CORROSION MIL-STD-202
 VIBRATION MIL-STD-202
 SHOCK MIL-STD-202

ROHS COMPLIANT



SM4743

RECOMMENDED
 PANEL LAYOUT

				FAIRVIEW MICROWAVE INC.	
				ALLEN, TX 75013 WWW.FAIRVIEWMICROWAVE.COM	
				TITLE	
				SMA/F-TNC/F BULKHEAD ADAPTER	
		SIZE	CAGE CODE	DWG NO	REV
		A	3FKR5	SM4743	C
				SCALE	SHEET