

# SMA-TNC 18GHZ ADAPTERS

SM4735, 4736, 4737, 4738

## SPECIFICATIONS

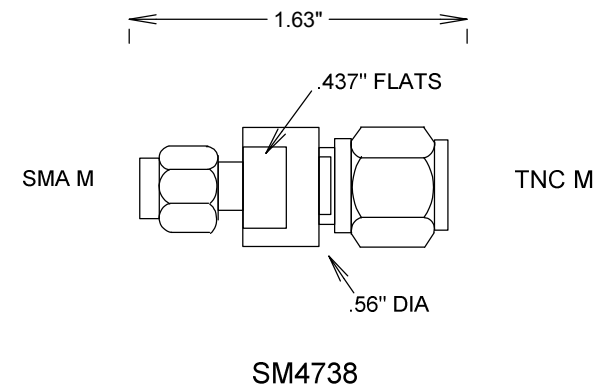
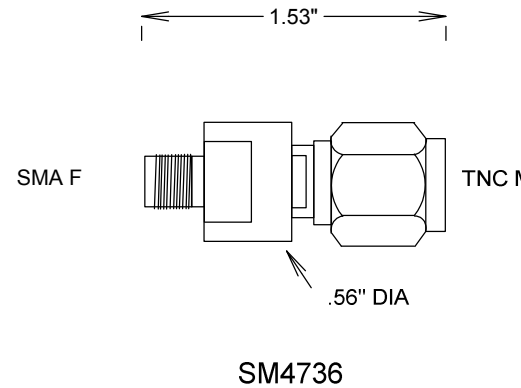
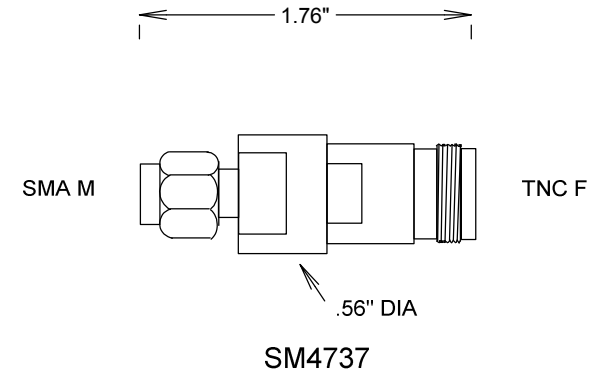
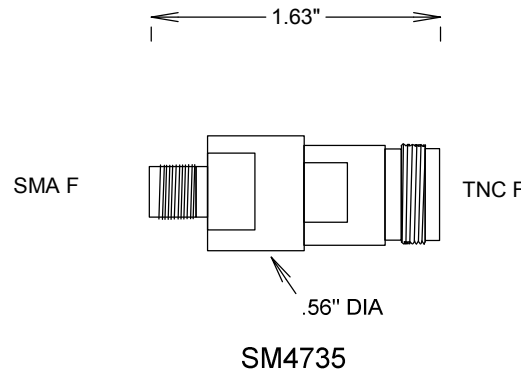
### ELECTRICAL

FREQUENCY: 0-18 GHZ  
 IMPEDANCE: 50 OHMS  
 VSWR: 1.25:1 MAX

### MECHANICAL

MATERIALS BODY PASS STAINLESS STEEL  
 MATERIALS CONTACTS BeCu  
 CONTACT PLATING: Au MIL-G-45204  
 INSULATOR: TEFLON ASTM  
 DURABILITY: 500 CYCLES MIN  
 INTERFACE: MIL-STD-348A

ROHS COMPLIANT



**FAIRVIEW MICROWAVE INC.**

ALLEN, TX 75013 WWW.FAIRVIEWMICROWAVE.COM

TITLE

**SMA-TNC 18GHZ ADAPTERS**

|          |           |                                 |     |
|----------|-----------|---------------------------------|-----|
| SIZE     | CAGE CODE | DWG NO                          | REV |
| <b>A</b> | 3FKR5     | <b>SM4735, 4736, 4737, 4738</b> | --  |

SCALE

SHEET