

SMA/F-BNC/F BULKHEAD 4GHZ ADAPTER

SM4714

SPECIFICATIONS

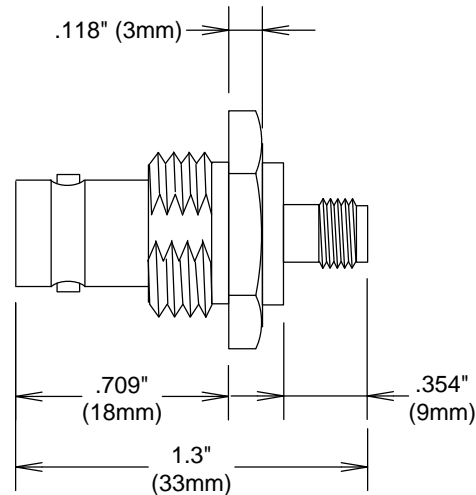
ELECTRICAL

FREQUENCY: 0-4 GHZ
 IMPEDANCE: 50 OHMS
 VSWR: 1.20:1 MAX @ 4GHZ
 VRMS: 500 V SEA LEVEL

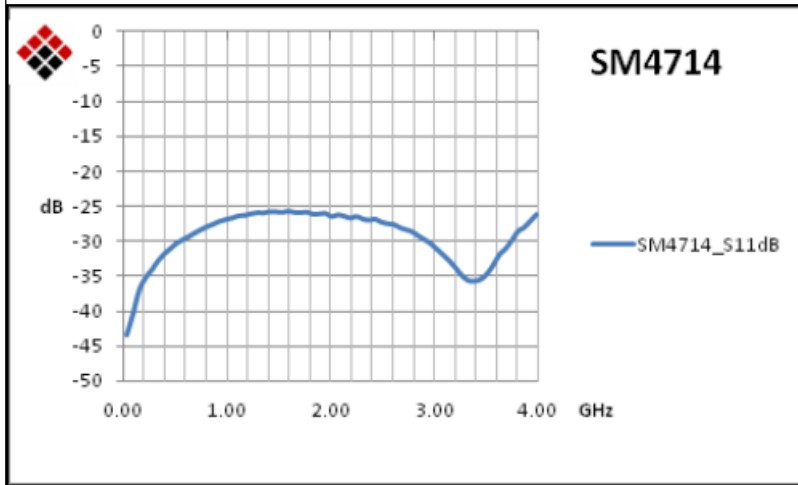
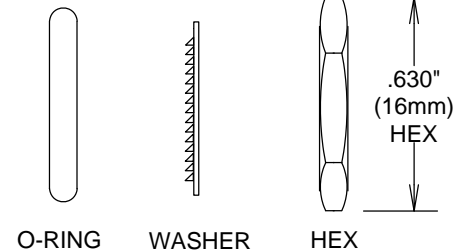
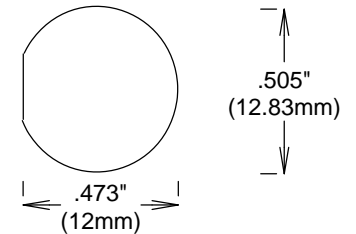
MECHANICAL

MATERIALS BODY : NICKEL PLATED BRASS
 CONTACT PLATING: Au PER MIL-G-45204
 INSULATOR PTFE
 FEMALE CONTACT BeCu
 INTERFACE MIL-STD-883A
 RECOMMENDED TORQUE 5-in-lbs SMA

ROHS COMPLIANT



RECOMMENDED
 PANEL
 CUTOUT



FAIRVIEW MICROWAVE INC. ALLEN, TX 75013 WWW.FAIRVIEWMICROWAVE.COM			
TITLE SMA/F-BNC/F BULKHEAD 4GHZ ADAPTER			
SIZE A	CAGE CODE 3FKR5	DWG NO SM4714	REV B
Dimensions In inches (mm) TYPICAL		SCALE	SHEET