

SMA/F-BNC/F BULKHEAD 4GHZ ADAPTER

SM4712

SPECIFICATIONS

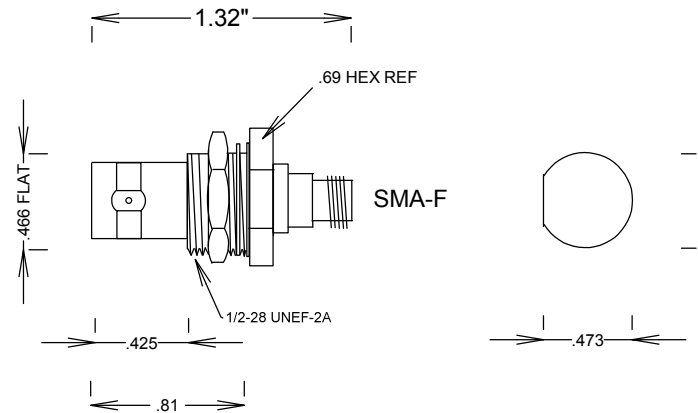
ELECTRICAL

FREQUENCY: 0-4 GHZ
 IMPEDANCE: 50 OHMS
 VSWR: 1.20:1 MAX @ 4GHZ; 1.4:1 TYP @ 10GHZ
 VRMS: 500 V SEA LEVEL

MECHANICAL

MATERIALS BODY : NICKEL PLATED BRASS
 CONTACT PLATING: Au PER MIL-G-45204

ROHS COMPLIANT



				FAIRVIEW MICROWAVE INC.	
				ALLEN, TX 75013 WWW.FAIRVIEWMICROWAVE.COM	
				TITLE	
				SMA/F-BNC/F BULKHEAD 4GHZ ADAPTER	
SIZE	CAGE CODE	DWG NO	REV		
A	3FKR5	SM4712	B		
SCALE			SHEET		