

SMA/F-BNC/F FLANGE 4GHZ ADAPTER

SM4708

SPECIFICATIONS

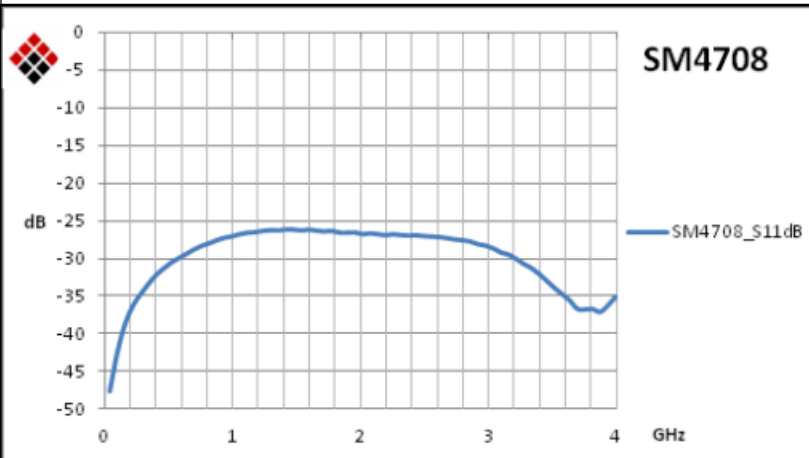
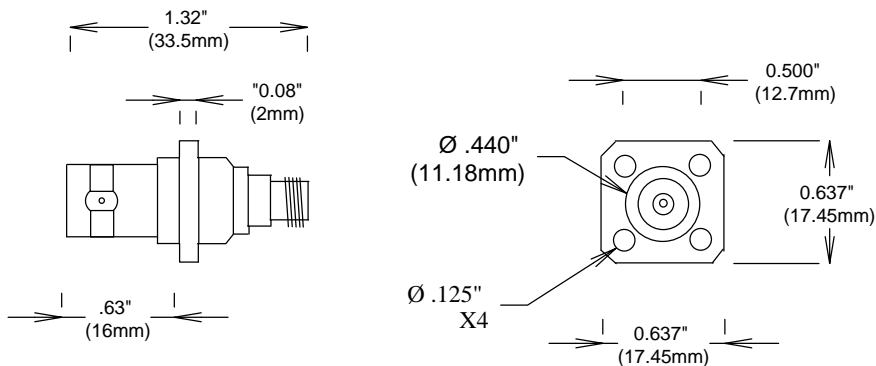
ELECTRICAL

FREQUENCY: 0-4 GHZ
 IMPEDANCE: 50 OHMS
 VSWR: 1.20:1 MAX
 VRMS: 250 V SEA LEVEL

MECHANICAL

MATERIALS BODY SMA: PASS. STAINLESS STEEL
 MATERIALS BODY BNC: NICKEL PLATED BRASS
 MATERIAL CONTACTS: BeCu
 CONTACT PLATING: Au PER MIL-G-45204
 INSULATOR: TEFLON
 INTERFACE: MIL-STD-348B
 TEMPERATURE RANGE: -55 TO +125°C
 RECOMMENDED TORQUE 8 in-lbs SMA

ROHS COMPLIANT



FAIRVIEW MICROWAVE INC. ALLEN, TX 75013 WWW.FAIRVIEWMICROWAVE.COM			
TITLE SMA/F-BNC/F FLANGE 4GHZ ADAPTER			
SIZE	CAGE CODE	DWG NO	REV
A	3FKR5	SM4708	D
SCALE		SHEET	

Dimensions in inches (mm) TYPICAL