

SMA/F-BNC/F BULKHEAD ADAPTER

SM4703

SPECIFICATIONS

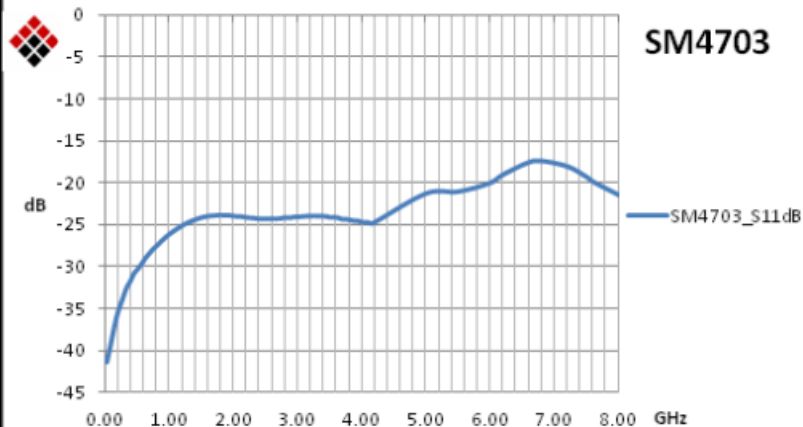
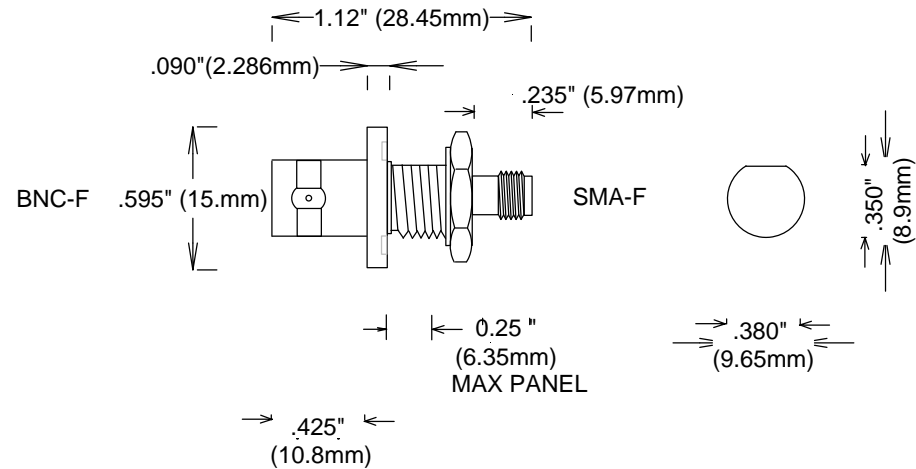
ELECTRICAL

FREQUENCY: 0-8 GHZ
 IMPEDANCE: 50 OHMS
 VSWR: 1.20:1 MAX @ 4GHZ; 1.3:1 TYP @ 8GHZ
 VRMS: 500 V SEA LEVEL

MECHANICAL:

MATERIALS BNC BODY : NICKEL PLATED BRASS
 CONTACTS: BeCu
 CONTACT PLATING: Au MIL-G-45204
 INTERFACE: MIL-STD-348A
 INSULATOR PTFE

ROHS COMPLIANT



FAIRVIEW MICROWAVE INC.

ALLEN, TX 75013 WWW.FAIRVIEWMICROWAVE.COM

TITLE

SMA/F-BNC/F BULKHEAD ADAPTER

SIZE	CAGE CODE	DWG NO	REV
A	3FKR5	SM4703	B
SCALE		SHEET	

DIMENSIONS IN inches (mm) TYPICAL