

SMA/F-BNC/F BULKHEAD ADAPTER

SM4703

SPECIFICATIONS

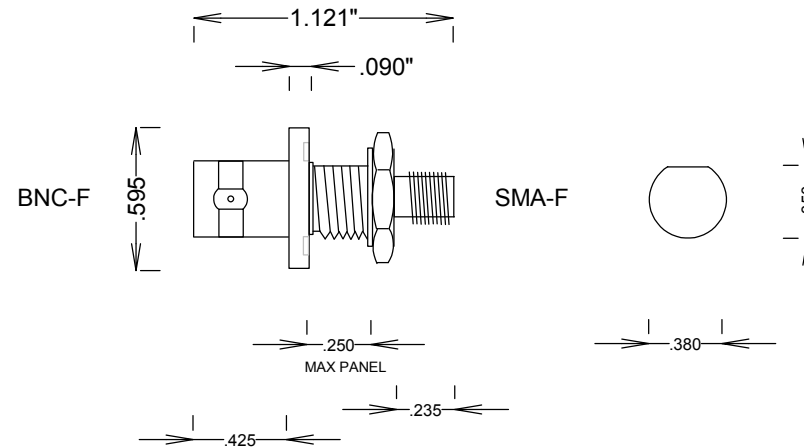
ELECTRICAL

FREQUENCY: 0-8 GHZ
 IMPEDANCE: 50 OHMS
 VSWR: 1.20:1 MAX @ 4GHZ; 1.3:1 TYP @ 8GHZ
 VRMS: 500 V SEA LEVEL

MECHANICAL

MATERIALS BODY : PASSIVATED S STEEL
 MATERIALS NUT: NICKEL PLATED BRASS
 CONTACTS: BeCu
 CONTACT PLATING: Au MIL-G-45204
 INTERFACE: MIL-STD-348A

ROHS COMPLIANT



				FAIRVIEW MICROWAVE INC.			
				ALLEN, TX 75013 WWW.FAIRVIEWMICROWAVE.COM			
				TITLE			
				SMA/F-BNC/F BULKHEAD ADAPTER			
SIZE	CAGE CODE	DWG NO			REV		
A	3FKR5	SM4703			A		
SCALE						SHEET	