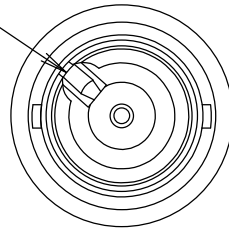


# SMA/F-BNC/F SHORTING BULKHEAD ADAPTER

SM4701

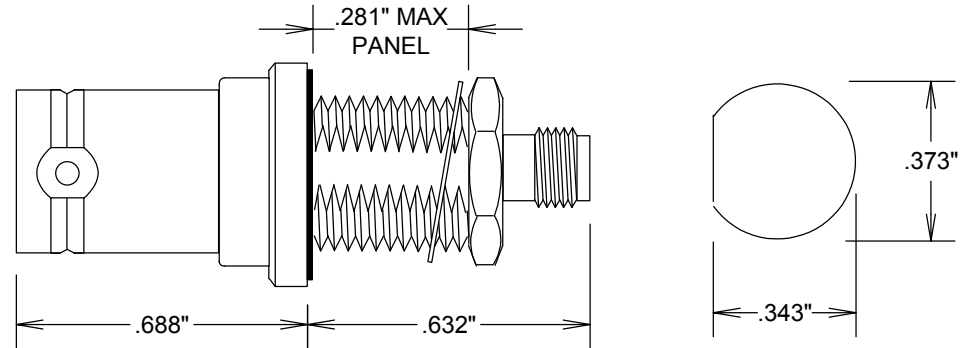
SHORTING CONTACT TO DISSAPATE STATIC IN PLUG CONNECTOR DURING MATING CYCLE. CIRCUIT IS OPEN WHEN FULLY MATED



BNC-F

SMA-F

MOUNTING HOLE



## SPECIFICATIONS

### ELECTRICAL

FREQUENCY: 0-4 GHZ  
 IMPEDANCE: 50 OHMS  
 VSWR: 1.3:1 MAX  
 VRMS: 500 V SEA LEVEL

### MECHANICAL

MATERIALS BODY : NICKEL PLATED BRASS  
 CONTACT PLATING: Au PER MIL-G-45204

ROHS COMPLIANT

**FAIRVIEW MICROWAVE INC.**

ALLEN, TX 75013 WWW.FAIRVIEWMICROWAVE.COM

TITLE

SMA/F-BNC/F  
 SHORTING BULKHEAD ADAPTER

SIZE	CAGE CODE	DWG NO	REV
A	3FKR5	SM4701	

SCALE

SHEET