

# SMA(F)- 7/16(M) DIN ADAPTER

SM4693

## SPECIFICATIONS

### ELECTRICAL

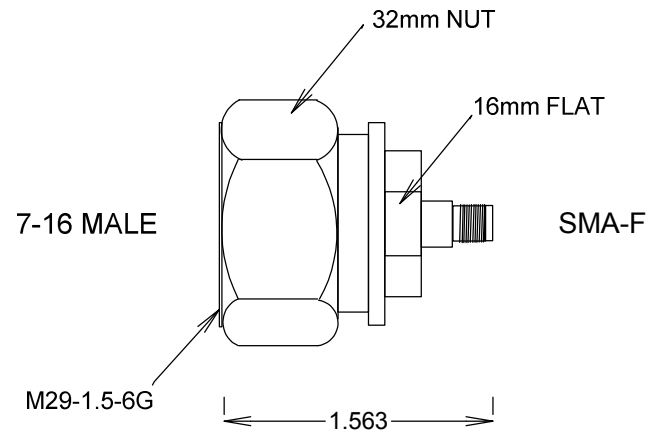
FREQUENCY: 0-6 GHZ  
 IMPEDANCE: 50 OHMS  
 VSWR: 1.25:1

### MECHANICAL

MATERIALS 7/16 BODY: TRIMETAL PLATED BRASS  
 MATERIALS SMA BODY: PASSIVATED STAINLESS STEEL  
 MATERIALS CONTACTS Au PLATING MIL-G-45204  
 RECOMMENDED TORQUE 7-16 221 IN-LBS; SMA 7-9 IN-LBS  
 DURABILITY: 500 CYCLES MIN

ENVIRONMENTAL PER DIN 47223  
 OPERATING TEMP: -45 TO +85 DEG C

ROHS COMPLIANT



SM4693

				<b>FAIRVIEW MICROWAVE INC.</b>			
				ALLEN, TX 75013 WWW.FAIRVIEWMICROWAVE.COM			
				TITLE			
				<b>SMA(F)- 7/16(M) DIN ADAPTER</b>			
SIZE	CAGE CODE	DWG NO		REV			
<b>A</b>		<b>SM4693</b>		--			
SCALE			SHEET				