

N/M - 7/16 M ADAPTER PIM TESTED

SM4690

SPECIFICATIONS

ELECTRICAL

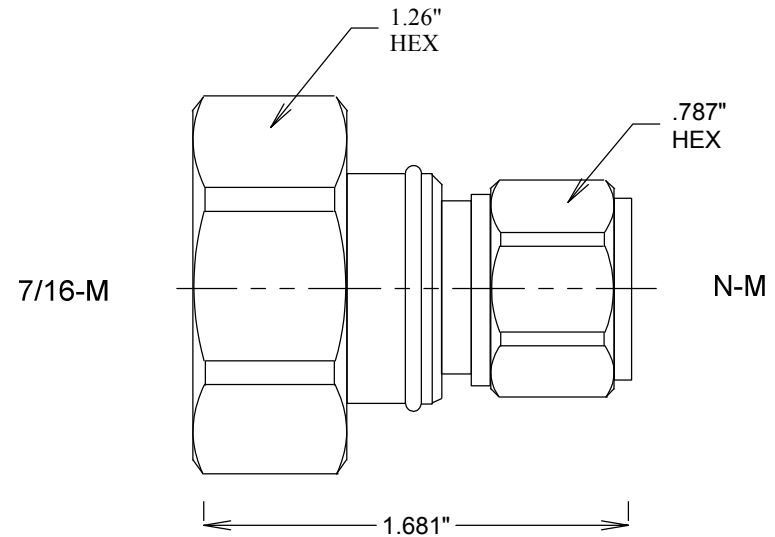
FREQUENCY: 0-6 GHZ
 IMPEDANCE: 50 OHMS
 VSWR: 1.15:1 MAX
 PIMD 3RD : ≥ 165 dBc USING 2CW TONES @ 20W/TONE

MECHANICAL

MATERIALS BODY: BRASS, SI PLATING
 CONNECTOR CONTACTS: BRASS, SI PLATING
 COUPLING NUT: TRIMETAL PLATED BRASS
 INSULATOR: TEFLON
 DURABILITY: 500 CYCLES MIN

OPERATING TEMP: -55° TO +120° C

ROHS COMPLIANT



FAIRVIEW MICROWAVE INC.

ALLEN, TX 75013 WWW.FAIRVIEWMICROWAVE.COM

TITLE

**N/M - 7/16 M ADAPTER
 PIM TESTED**

SIZE	CAGE CODE	DWG NO	REV
A	3FKR5	SM4690	--

SCALE SHEET