

# N - 7/16 RIGHT ANGLE ADAPTER

SM4683

## SPECIFICATIONS

### ELECTRICAL

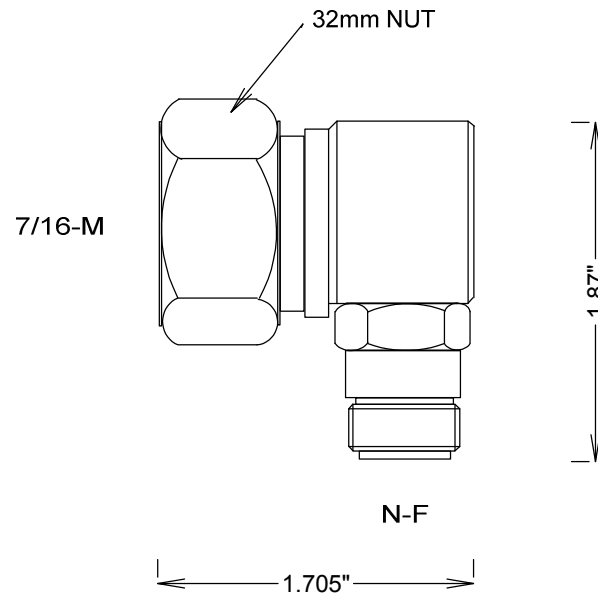
FREQUENCY: 0-4 GHZ  
IMPEDANCE: 50 OHMS  
VSWR: 1.25:1 MAX  
PIM; 160dbc typ for 2 carriers @ 20W

### MECHANICAL

MATERIALS BODY: TRIMETAL PLATED BRASS  
MATERIALS CONTACTS SI PLATING  
RECOMMENDED TORQUE 7-16 221 IN-LBS  
DURABILITY: 500 CYCLES MIN

OPERATING TEMP: -45 TO +80 DEG C

ROHS COMPLIANT



**FAIRVIEW MICROWAVE INC.**

ALLEN, TX 75013 WWW.FAIRVIEWMICROWAVE.COM

TITLE

**N - 7/16 RIGHT ANGLE ADAPTER**

SIZE	CAGE CODE	DWG NO	REV
<b>A</b>	3FKR5	<b>SM4683</b>	--
SCALE	SHEET		