

# N/F - 7/16 M ADAPTER PIM TESTED

SM4678

## SPECIFICATIONS

### ELECTRICAL

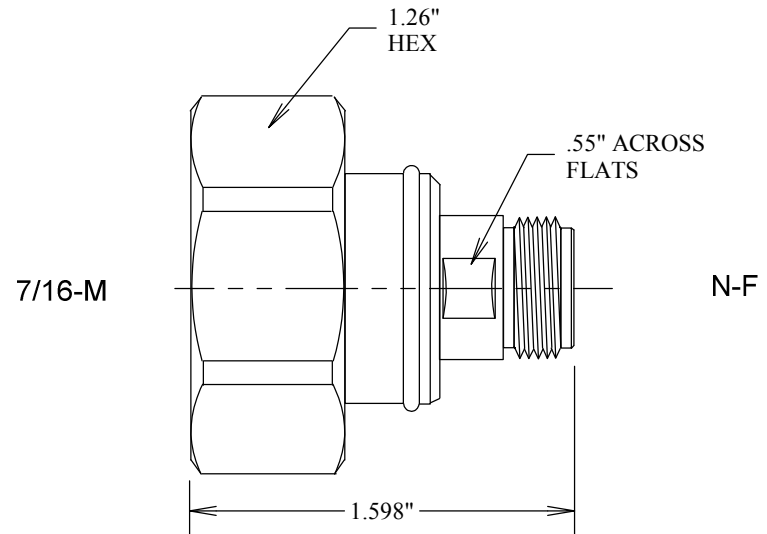
FREQUENCY: 0-6 GHZ  
IMPEDANCE: 50 OHMS  
VSWR: 1.15:1 MAX  
PIMD 3RD :  $\geq 165$  dBc USING 2CW TONES @ 20W/TONE

### MECHANICAL

MATERIALS BODY: BRASS, SI PLATING  
CONNECTOR CONTACTS: BRASS, SI PLATING  
COUPLING NUT: TRIMETAL PLATED BRASS  
INSULATOR: TEFLON  
DURABILITY: 500 CYCLES MIN

OPERATING TEMP: -55° TO +120° C

ROHS COMPLIANT



				<b>FAIRVIEW MICROWAVE INC.</b>	
				ALLEN, TX 75013 WWW.FAIRVIEWMICROWAVE.COM	
				TITLE	
				<b>N/F - 7/16 M ADAPTER PIM TESTED</b>	
SIZE		CAGE CODE	DWG NO	REV	
<b>A</b>		3FKR5	<b>SM4678</b>	--	
SCALE			SHEET		