

N - 7/16 ADAPTERS S STEEL

SM4674, SM4679, SM4684, SM4689

SPECIFICATIONS

ELECTRICAL

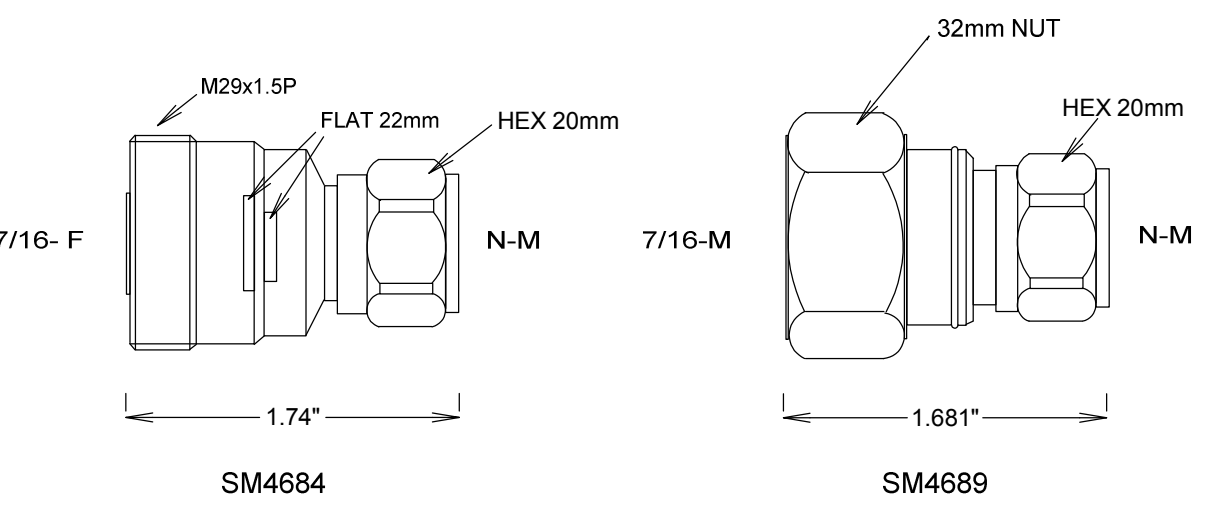
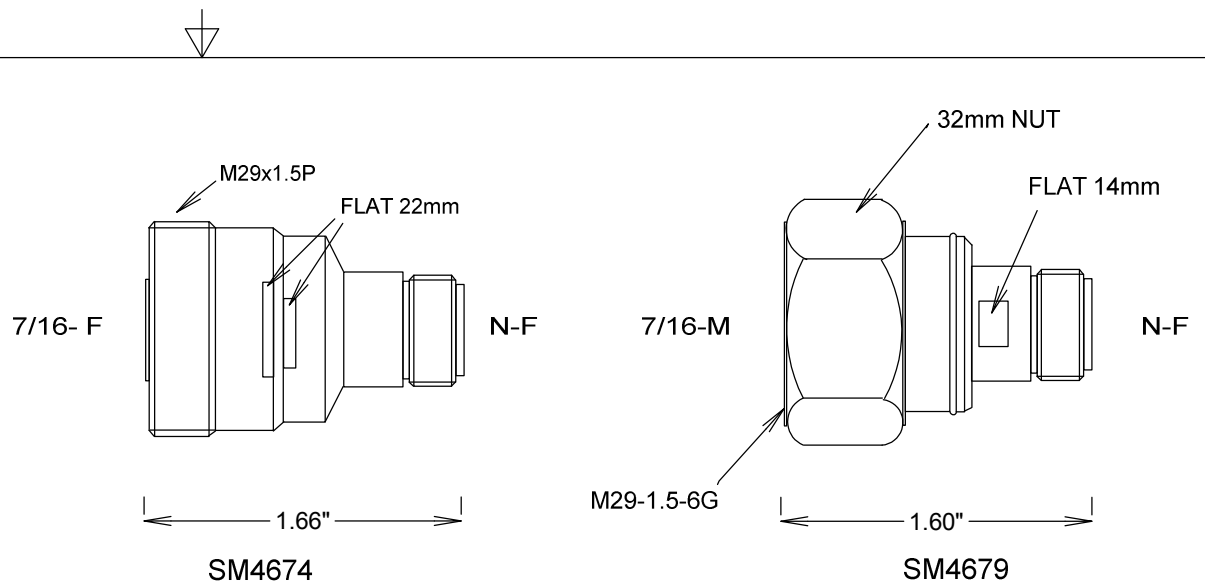
FREQUENCY: 0-6 GHZ
 IMPEDANCE: 50 OHMS
 VSWR: 1.15:1 MAX

MECHANICAL

MATERIALS BODY: PASS S STEEL
 MALE CONTACTS: BRASS, SI PLATING
 FEMALE CONTACTS: BeCu, Si PLATING
 INSULATOR: TEFLON
 O-RINGS: SILICONE-RUBBER
 RECOMMENDED TORQUE 7-16 221 IN-LBS
 DURABILITY: 500 CYCLES MIN

OPERATING TEMP: -55° TO +125° C

ROHS COMPLIANT



				FAIRVIEW MICROWAVE INC.			
				ALLEN, TX 75013 WWW.FAIRVIEWMICROWAVE.COM			
				TITLE			
				N - 7/16 ADAPTERS S STEEL			
SIZE		CAGE CODE		DWG NO		REV	
A		3FKR5		SM4674, SM4679, SM4684, SM4689		--	
SCALE				SHEET			