

N/F - 7/16 F ADAPTER PIM TESTED

SM4673

SPECIFICATIONS

ELECTRICAL

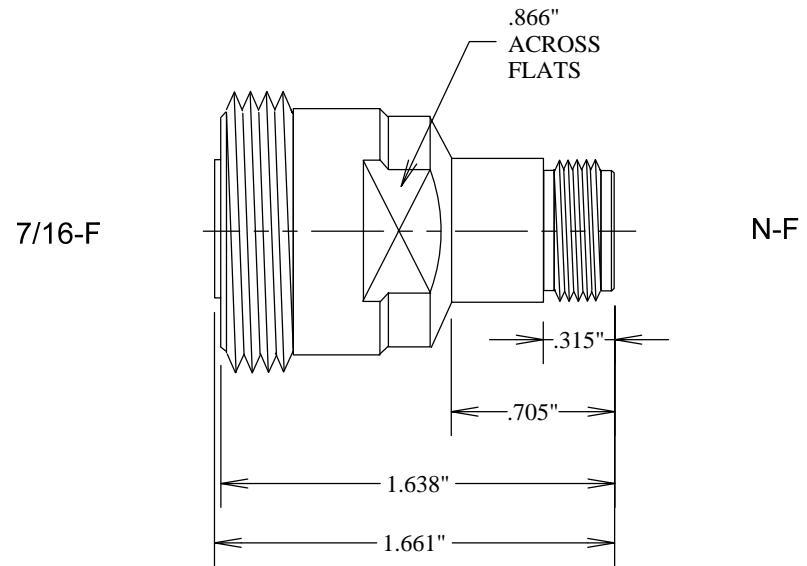
FREQUENCY: 0-6 GHZ
IMPEDANCE: 50 OHMS
VSWR: 1.15:1 MAX
PIMD 3RD : ≥ 165 dBc USING 2CW TONES @ 20W/TONE

MECHANICAL

MATERIALS BODY: BRASS, SI PLATING
CONNECTOR CONTACTS: BRASS, SI PLATING
INSULATOR: TEFLON
DURABILITY: 500 CYCLES MIN

OPERATING TEMP: -55° TO +120° C

ROHS COMPLIANT



FAIRVIEW MICROWAVE INC.

ALLEN, TX 75013 WWW.FAIRVIEWMICROWAVE.COM

TITLE

**N/F - 7/16 F ADAPTER
PIM TESTED**

SIZE	CAGE CODE	DWG NO	REV
A	3FKR5	SM4673	A

SCALE

SHEET