

N-F - 7/16-F PANEL ADAPTER

SM4672

SPECIFICATIONS

ELECTRICAL

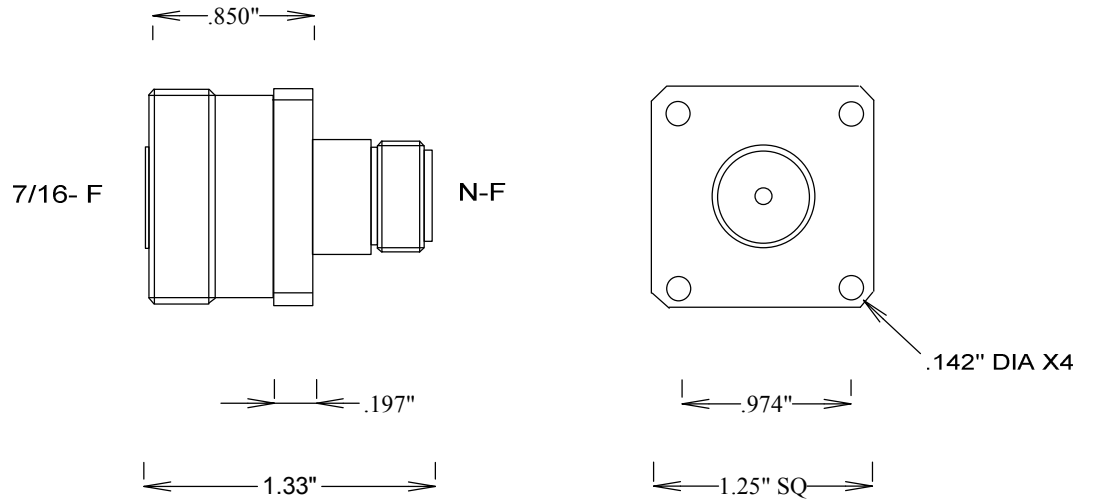
FREQUENCY: 0-6 GHZ
 IMPEDANCE: 50 OHMS
 VSWR: 1.15:1 MAX
 PIM; 160dbc typ for 2 carriers @ 20W

MECHANICAL

MATERIALS BODY: SILVER PLATED BRASS
 MATERIALS CONTACT : SPRING BRASS 7/16, BeCu N
 CONTACT PLATING: SI PLATING QQ-S-365
 INSULATOR: TEFLON
 RECOMMENDED TORQUE 7-16 221 IN-LBS
 DURABILITY: 500 CYCLES MIN

OPERATING TEMP: -55° TO +125° C

ROHS COMPLIANT



				FAIRVIEW MICROWAVE INC.	
				ALLEN, TX 75013 WWW.FAIRVIEWMICROWAVE.COM	
				TITLE	
				N-F - 7/16-F PANEL ADAPTER	
		SIZE	CAGE CODE	DWG NO	REV
		A	3FKR5	SM4672	--
				SCALE	SHEET