

SC MALE - 7/16 FEMALE ADAPTER

SM4645

SPECIFICATIONS

ELECTRICAL

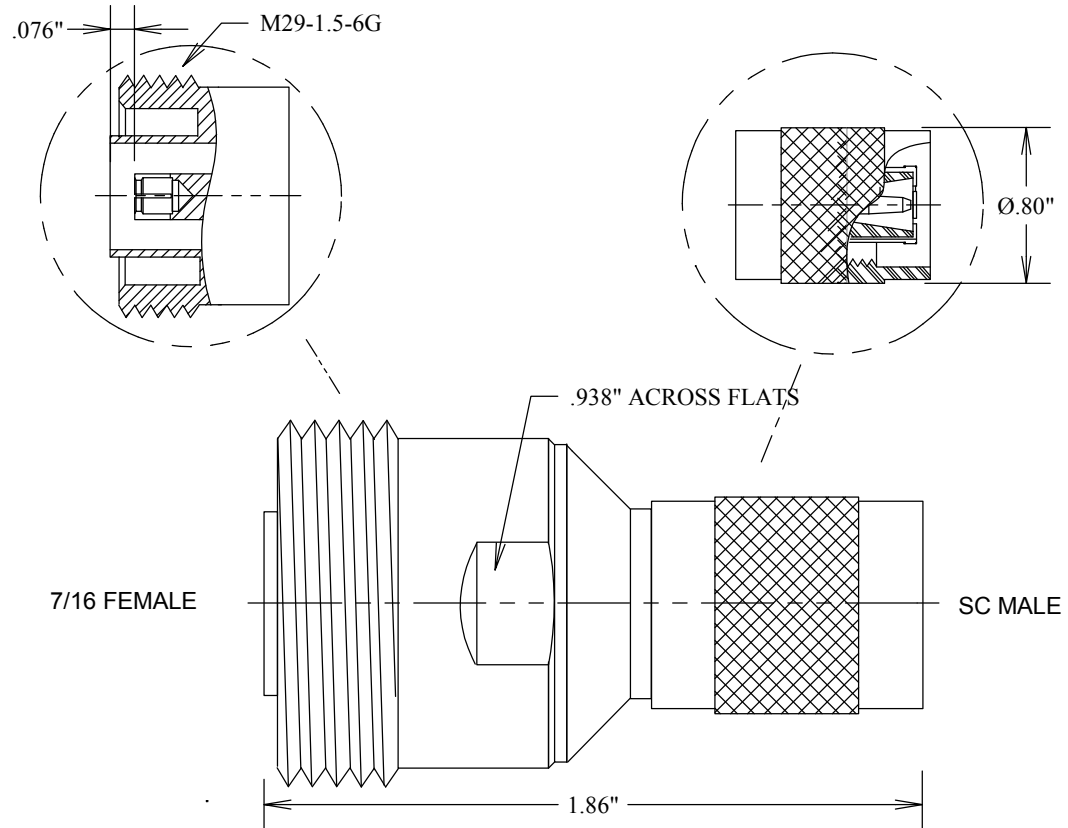
FREQUENCY: 0-7.5 GHZ
 IMPEDANCE: 50 OHMS
 VSWR: 1.2:1 MAX

MECHANICAL

MATERIALS BODY: NICKEL PLATED BRASS
 MATERIALS CONTACTS BeCu,
 CONTACT PLATING: Au PER MIL-G-45204
 INSULATOR: TEFLON
 RECOMMENDED TORQUE 7-16 221 IN-LBS
 DURABILITY: 500 CYCLES MIN

OPERATING TEMP: -65° TO +165° C

ROHS COMPLIANT



				FAIRVIEW MICROWAVE INC.			
				ALLEN, TX 75013 WWW.FAIRVIEWMICROWAVE.COM			
				TITLE			
				SC MALE - 7/16 FEMALE ADAPTER			
SIZE		CAGE CODE		DWG NO		REV	
A		3FKR5		SM4645		A	
SCALE				SHEET			