

# HN - 7/16 ADAPTERS

SM4641, SM4643

## SPECIFICATIONS

### ELECTRICAL

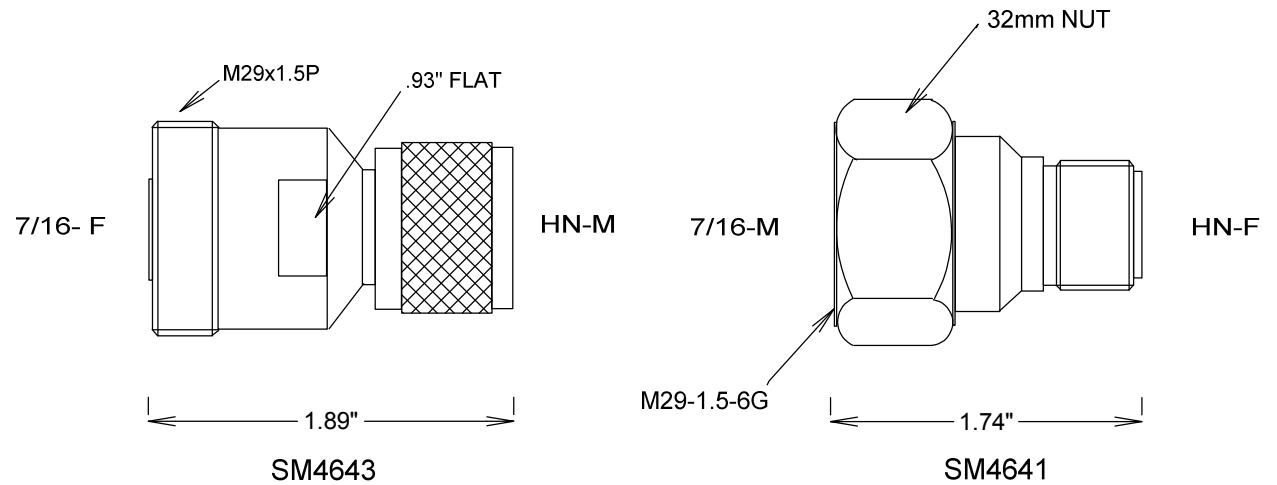
FREQUENCY: 0-4 GHZ  
 IMPEDANCE: 50 OHMS  
 VSWR: 1.2:1 MAX

### MECHANICAL

MATERIALS BODY: NICKEL PLATED BRASS  
 MATERIALS CONTACTS BeCu(F), BRASS(M)  
 CONTACT PLATING: Au PER MIL-G-45204  
 INSULATOR: TEFLON  
 RECOMMENDED TORQUE 7-16 221 IN-LBS  
 DURABILITY: 500 CYCLES MIN

OPERATING TEMP: -55° TO +120° C

ROHS COMPLIANT



				<b>FAIRVIEW MICROWAVE INC.</b>			
				ALLEN, TX 75013 WWW.FAIRVIEWMICROWAVE.COM			
				TITLE			
				<b>HN - 7/16 ADAPTERS</b>			
SIZE		CAGE CODE		DWG NO		REV	
<b>A</b>		3FKR5		<b>SM4641, SM4643</b>		A	
SCALE				SHEET			