

N M/F ADAPTER 90DEG 6GHZ

SM4530

SPECIFICATIONS

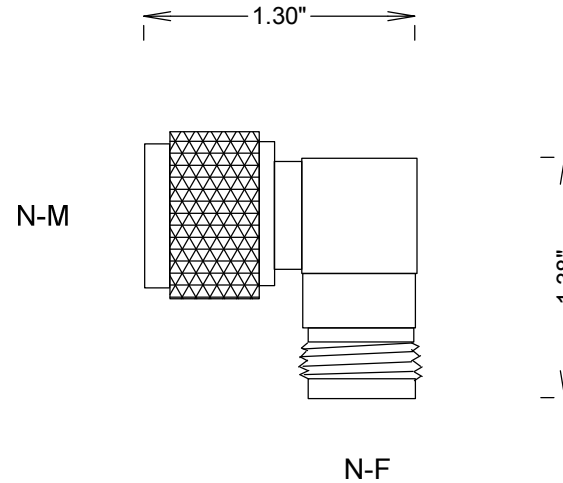
ELECTRICAL

FREQUENCY: 0-6 GHZ
IMPEDANCE: 50 OHMS
VSWR: 1.2:1 MAX @ 6 GHZ

MECHANICAL

MATERIALS BODY: NICKLE PLATED BRASS
MATERIALS CONTACTS: Si PLATING
DIELECTRIC: TEFLON
INTERFACE: MIL-STD-348A

ROHS COMPLIANT



				FAIRVIEW MICROWAVE INC.			
				ALLEN, TX 75013 WWW.FAIRVIEWMICROWAVE.COM			
				TITLE			
				N M/F ADAPTER 90DEG 6GHZ			
SIZE		CAGE CODE		DWG NO		REV	
A		3FKR5		SM4530		--	
SCALE						SHEET	