

N M/F ADAPTER 90DEG 6GHZ

SM4529

SPECIFICATIONS

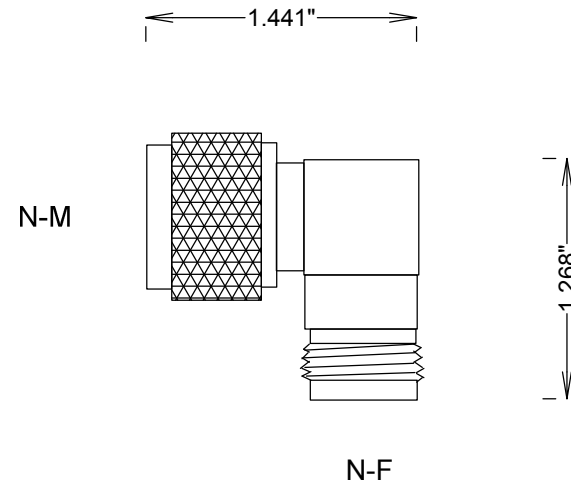
ELECTRICAL

FREQUENCY: 0-6 GHZ
IMPEDANCE: 50 OHMS
VSWR: 1.2:1 MAX @ 6 GHZ

MECHANICAL

MATERIALS BODY: NICKLE PLATED BRASS
MATERIALS CONTACTS: AU PLATING
DIELECTRIC: TEFLON
INTERFACE: MIL-STD-348A

ROHS COMPLIANT



FAIRVIEW MICROWAVE INC.

ALLEN, TX 75013 WWW.FAIRVIEWMICROWAVE.COM

TITLE

N M/F ADAPTER 90DEG 6GHZ

| SIZE | CAGE CODE | DWG NO | REV |
|----------|--------------|---------------|----------|
| A | 3FKR5 | SM4529 | A |
| SCALE | | SHEET | |