

# N-SMA F/F 12.4 GHZ FLANGE ADAPTER

SM4224

## SPECIFICATIONS

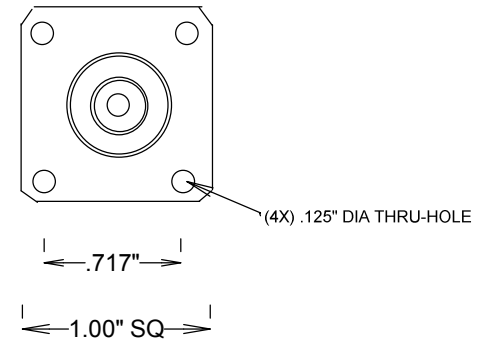
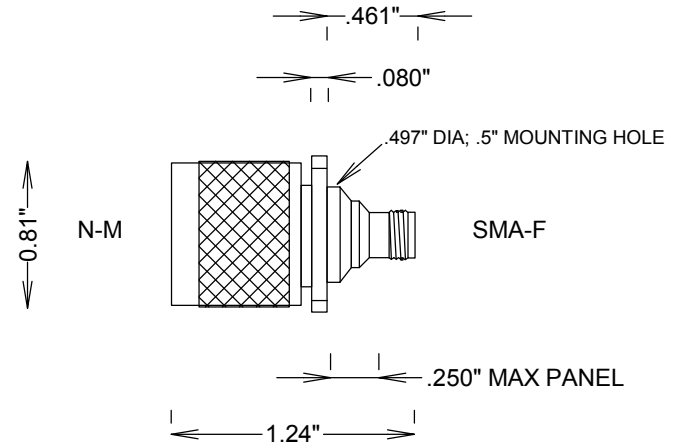
### ELECTRICAL

FREQUENCY: 0-12 GHZ  
 IMPEDANCE: 50 OHMS  
 VSWR: 1.2:1 MAX

### MECHANICAL

MATERIALS BODY N NICKEL PLATED BRASS  
 MATERIALS BODY SMA: PASS STAINLESS STEEL  
 MATERIALS FEMALE CONTACTS BeCu  
 CONTACT PLATING: Au PER MIL-G-45204  
 INSULATOR: TEFLON  
 INTERFACE: MIL-STD-348A  
 DURABILITY: 500 CYCLES MIN

ROHS COMPLIANT



**FAIRVIEW MICROWAVE INC.**

ALLEN, TX 75013 WWW.FAIRVIEWMICROWAVE.COM

TITLE

**N/M-SMA/F 12GHZ FLANGE ADAPTER**

SIZE	CAGE CODE	DWG NO	REV
<b>A</b>	<b>3FKR5</b>	<b>SM4256</b>	--

SCALE SHEET