

N-SMA F/F 12.4 GHZ FLANGE ADAPTER

SM4224

SPECIFICATIONS

ELECTRICAL

FREQUENCY: 0-18 GHZ
 IMPEDANCE: 50 OHMS
 VSWR: 1.15:1 MAX

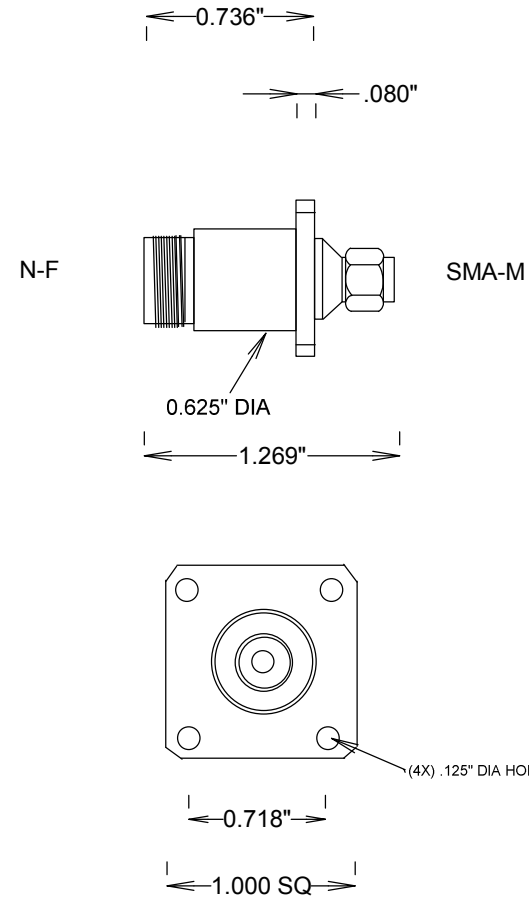
MECHANICAL

MATERIALS BODY PASSIVATED STAINLESS STEEL
 MATERIALS CONTACTS BeCu
 CONTACT PLATING: Au PER MIL-G-45204
 INTERFCAE: MIL-STD-348A
 CONTACT CAPTIVATION: 6LBS MIN AXIAL FORCE
 CONTACT TORQUE: 4 IN-OUNCES MIN
 DURABILITY: 500 CYCLES MIN

ENVIRONMENTAL

CORROSION MIL-STD-202
 VIBRATION MIL-STD-202
 SHOCK MIL-STD-202

ROHS COMPLIANT



				FAIRVIEW MICROWAVE INC.			
				ALLEN, TX 75013 WWW.FAIRVIEWMICROWAVE.COM			
				TITLE			
				N/F-SMA/M 18GHZ FLANGE ADAPTER			
SIZE	CAGE CODE	DWG NO		REV			
A	3FKR5	SM4252					
SCALE			SHEET				