

SMA/F-N/F 11GHZ BULKHEAD ADAPTER

SM4248

SPECIFICATIONS

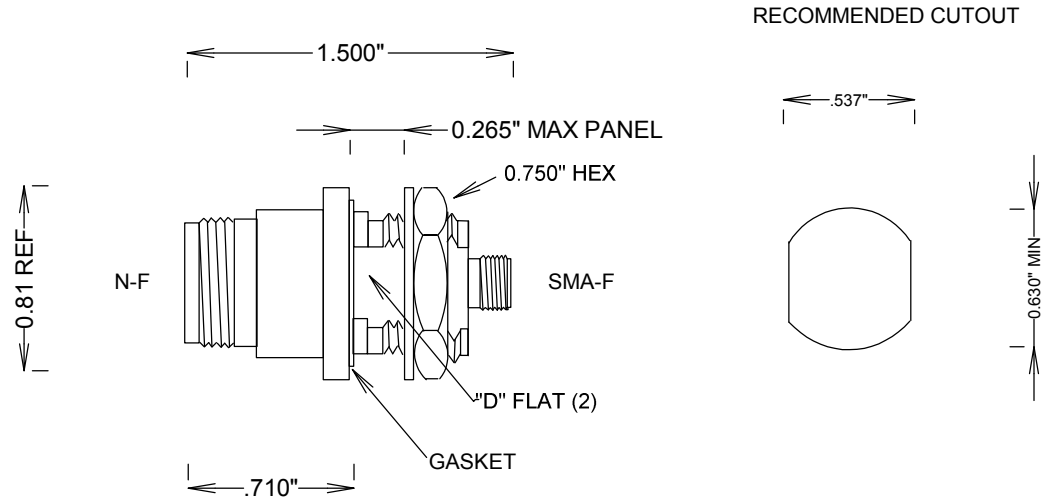
ELECTRICAL

FREQUENCY: 0-11 GHZ
 IMPEDANCE: 50 OHMS
 VSWR: 1.20:1 MAX

MECHANICAL

MATERIALS BODY : N: NICKEL PLATED BRASS
 MATERIALS BODY : SMA: PASS. STAINLESS STEEL
 MATERIALS CONTACTS BeCu
 CONTACT PLATING: Au PER MIL-G-45204
 DURABILITY: 500 CYCLES MIN
 INTERFACE: MIL-STD-348A

ROHS COMPLIANT



				FAIRVIEW MICROWAVE INC.	
				ALLEN, TX 75013 WWW.FAIRVIEWMICROWAVE.COM	
				TITLE	
				SMA/F-N/F 11GHZ BULKHEAD ADAPTER	
		SIZE	CAGE CODE	DWG NO	REV
		A	3FKR5	SM4248	--
				SCALE	SHEET