

SMA/F-N/F 11GHZ BULKHEAD ADAPTER

SM4247

SPECIFICATIONS

ELECTRICAL

FREQUENCY: 0-11 GHZ
 IMPEDANCE: 50 OHMS
 VSWR: 1.20:1 MAX

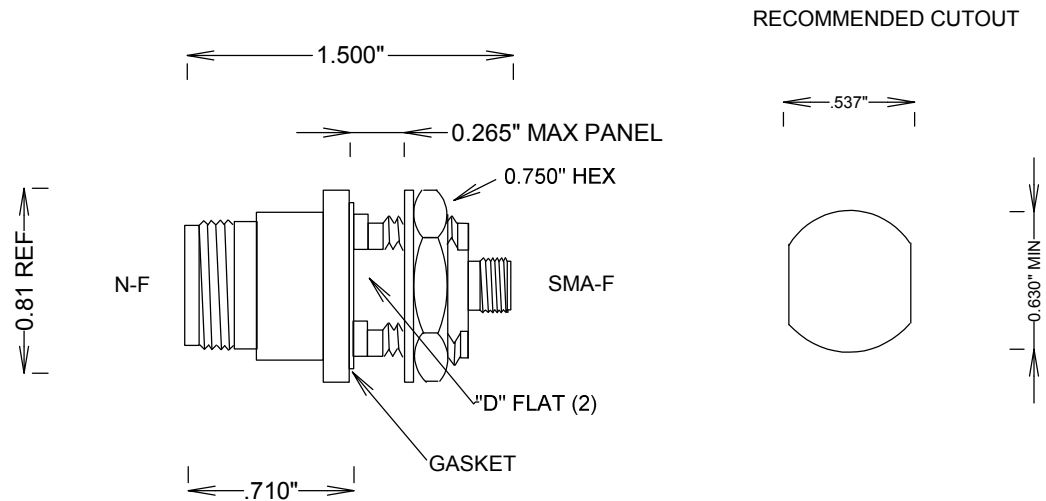
MECHANICAL

MATERIALS BODY : NICKEL PLATED BRASS
 MATERIALS CONTACTS BeCu
 CONTACT PLATING: Au PER MIL-G-45204
 DURABILITY: 100 CYCLES MIN
 INTERFACE: MIL-STD-348A

ENVIRONMENTAL:

OPERATING TEMPERATURE: -55°C-+125°C

ROHS COMPLIANT



				FAIRVIEW MICROWAVE INC.			
				ALLEN, TX 75013 WWW.FAIRVIEWMICROWAVE.COM			
				TITLE			
				SMA/F-N/F 11GHZ BULKHEAD ADAPTER			
SIZE		CAGE CODE		DWG NO		REV	
A		3FKR5		SM4247		B	
SCALE				SHEET			