

SMA/F-N/F 11GHZ HERMETIC BULKHEAD ADAPTER

SM4245

SPECIFICATIONS

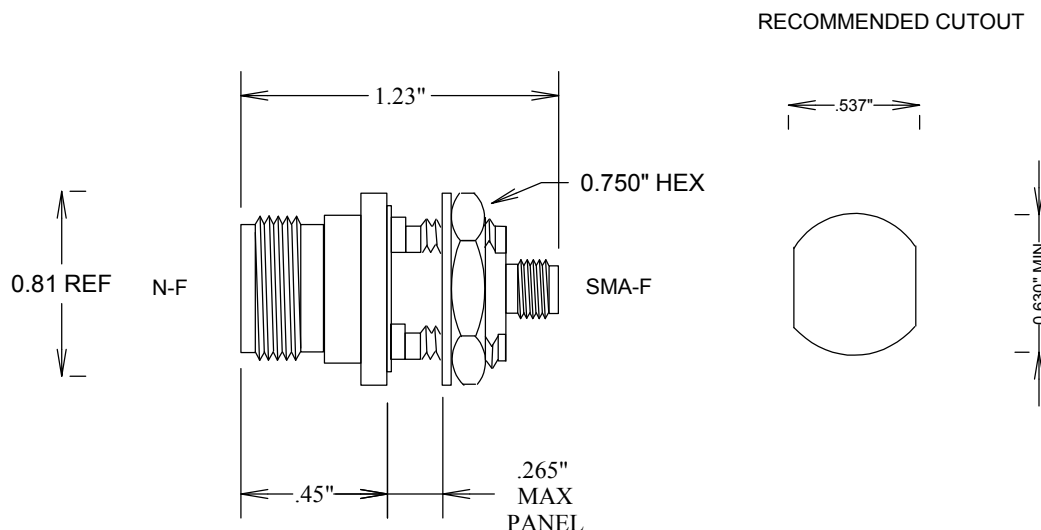
ELECTRICAL
 FREQUENCY: 0-11 GHZ
 IMPEDANCE: 50 OHMS
 VSWR: 1.20:1 MAX

MECHANICAL
 MATERIALS BODY : NICKEL PLATED BRASS
 MATERIALS CONTACTS BeCu
 CONTACT PLATING: Au PER MIL-G-45204
 DURABILITY: 100 CYCLES MIN
 INTERFACE: MIL-STD-348A

ENVIRONMENTAL:
 OPERATING TEMPERATURE: -55°C-+125°C

ROHS COMPLIANT

LEAK RATE NOT TO EXCEED 1 X 10⁻⁷ CC/SEC. OF HELIUM



				FAIRVIEW MICROWAVE INC.	
				ALLEN, TX 75013 WWW.FAIRVIEWMICROWAVE.COM	
				TITLE	
				SMA/F-N/F 11GHZ HERMETIC BULKHEAD ADAPTER	
SIZE	CAGE CODE	DWG NO	REV		
A	3FKR5	SM4245	--		
SCALE			SHEET		