

SMA/F-N/F 12.4GHZ BULKHEAD ADAPTER

SM4239A

SPECIFICATIONS

ELECTRICAL

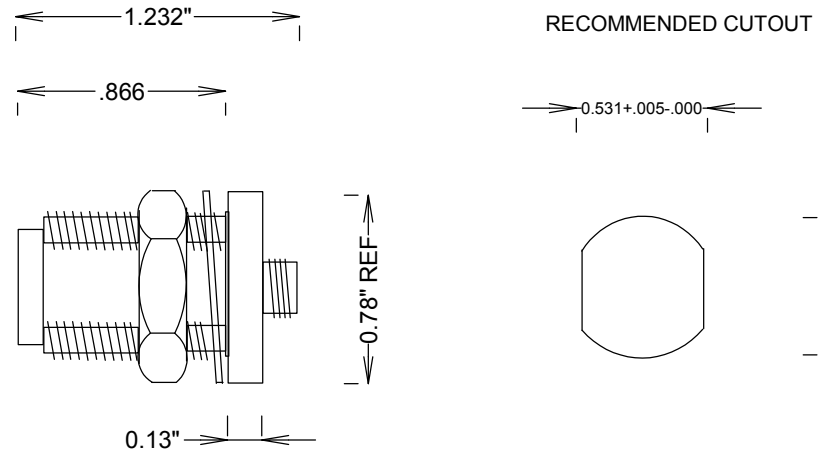
FREQUENCY: 0-12.4 GHZ
IMPEDANCE: 50 OHMS
VSWR: 1.10:1 MAX @ 3GHZ
1.20:1 MAX @ 8GHZ
1.30:1 MAX @ 12.4GHZ

MECHANICAL

MATERIALS BODY BRASS, NICKEL PLATED
CONTACTS Au PLATING PER MIL-G-45204
DURABILITY: 100 CYCLES MIN
INTERFACE: MIL-STD-348A
INSULATOR: TEFLON PER ASTM D1457

ENVIRONMENTAL

-55 TO +125 DEG C
ROHS COMPLIANT



				FAIRVIEW MICROWAVE INC.	
				ALLEN, TX 75013 WWW.FAIRVIEWMICROWAVE.COM	
				TITLE	
				SMA/F-N/F 12.4GHZ BULKHEAD ADAPTER	
SIZE		CAGE CODE	DWG NO	REV	
A		3FKR5	SM4239A	--	
SCALE			SHEET		