

SMA/F-N/F 18GHZ BULKHEAD ADAPTER

SM4237

SPECIFICATIONS

ELECTRICAL

FREQUENCY: 0-18 GHZ
 IMPEDANCE: 50 OHMS
 VSWR: 1.20:1 MAX
 VRMS: 250 V SEA LEVEL

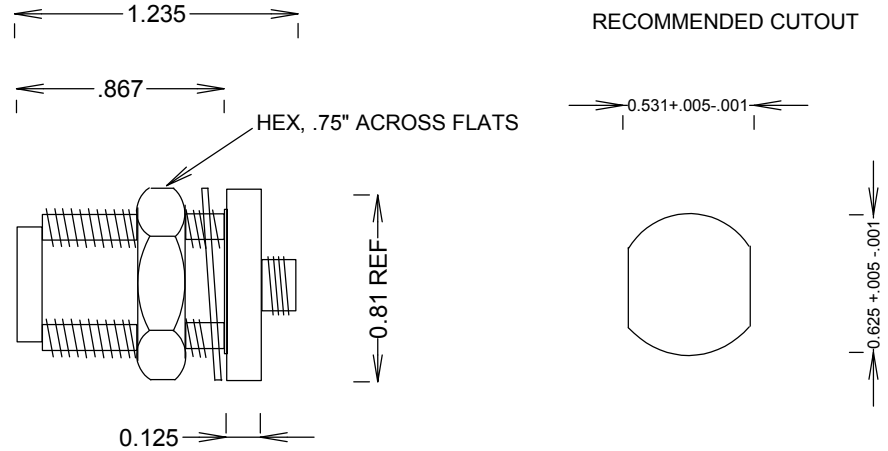
MECHANICAL

MATERIALS BODY PASS STAINLESS STEEL
 MATERIALS CONTACTS BeCu
 CONTACT PLATING: Au PER MIL-G-45204
 CONTACT CAPTIVATION: 6LBS MIN AXIAL FORCE
 INSULATOR: TEFLON
 INTERFACE: MIL-STD-348A
 DURABILITY: 500 CYCLES MIN

ENVIRONMENTAL

CORROSION MIL-STD-202
 VIBRATION MIL-STD-202
 SHOCK MIL-STD-202

ROHS COMPLIANT



COMES WITH GASKET FOR SEALING

				FAIRVIEW MICROWAVE INC.	
				ALLEN, TX 75013 WWW.FAIRVIEWMICROWAVE.COM	
				TITLE	
				SMA/F-N/F 18GHZ BULKHEAD ADAPTER	
SIZE		CAGE CODE	DWG NO		REV
A		3FKR5	SM4237		C
SCALE				SHEET	