

N-SMA F/F 8GHZ FLANGE ADAPTER

SM4232

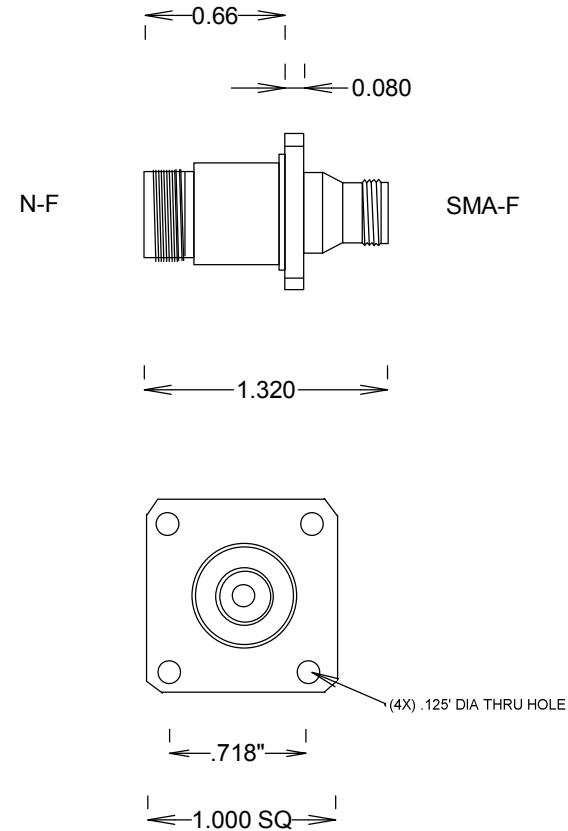
SPECIFICATIONS

ELECTRICAL

FREQUENCY: 0-8 GHZ
 IMPEDANCE: 50 OHMS
 VSWR: 1.2:1 MAX
 VRMS: 250 V SEA LEVEL

MECHANICAL

MATERIALS BODY NICKEL PLATED BRASS
 MATERIALS CONTACTS BeCu
 CONTACT PLATING: Au PER MIL-G-45204
 CONTACT CAPTIVATION: 6LBS MIN AXIAL FORCE
 CONTACT TORQUE: 4 IN-OUNCES MIN
 DURABILITY: 100 CYCLES MIN



FAIRVIEW MICROWAVE INC.

ALLEN, TX 75013 WWW.FAIRVIEWMICROWAVE.COM

TITLE

N-SMA F/F 8GHZ FLANGE ADAPTER

SIZE A	CAGE CODE 3FKR5	DWG NO SM4232	REV A
------------------	---------------------------	-------------------------	-----------------

SCALE	SHEET
-------	-------