

N-SMA F/F 12.4GHZ FLANGE ADAPTER

SM4229

SPECIFICATIONS

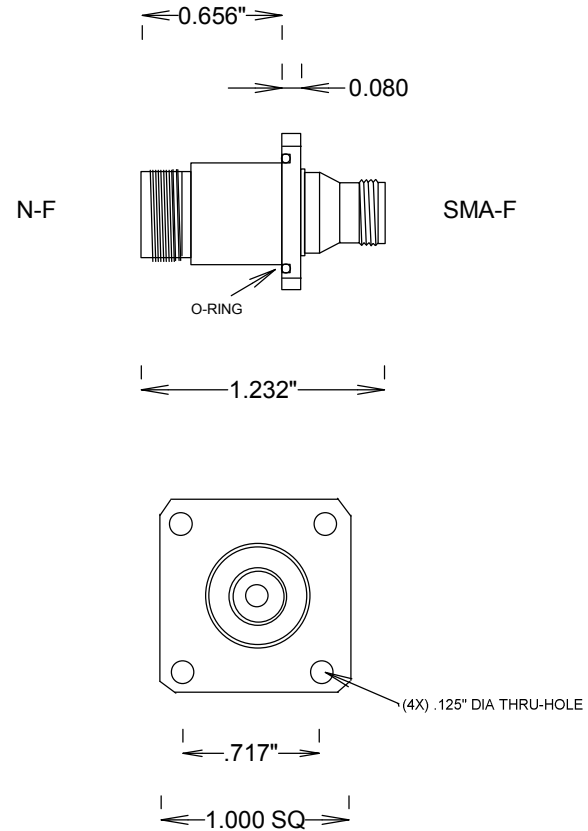
ELECTRICAL

FREQUENCY: 0-12.4 GHZ
 IMPEDANCE: 50 OHMS
 VSWR: 1.2:1 MAX

MECHANICAL

MATERIALS N NICKEL PLATED BRASS
 MATERIALS SMA PASS S STEEL
 MATERIALS CONTACTS BeCu
 CONTACT PLATING: Au PER MIL-G-45204
 DIELECTRIC: TEFLON
 INTERFACE: MIL-STD-348A

ROHS COMPLIANT



				FAIRVIEW MICROWAVE INC.			
				ALLEN, TX 75013 WWW.FAIRVIEWMICROWAVE.COM			
				TITLE			
				N-SMA F/F 12.4GHZ FLANGE ADAPTER			
SIZE	CAGE CODE	DWG NO		REV			
A	3FKR5	SM4229		--			
SCALE			SHEET				