

# N-SMA F/F 8GHZ FLANGE ADAPTER

SM4228

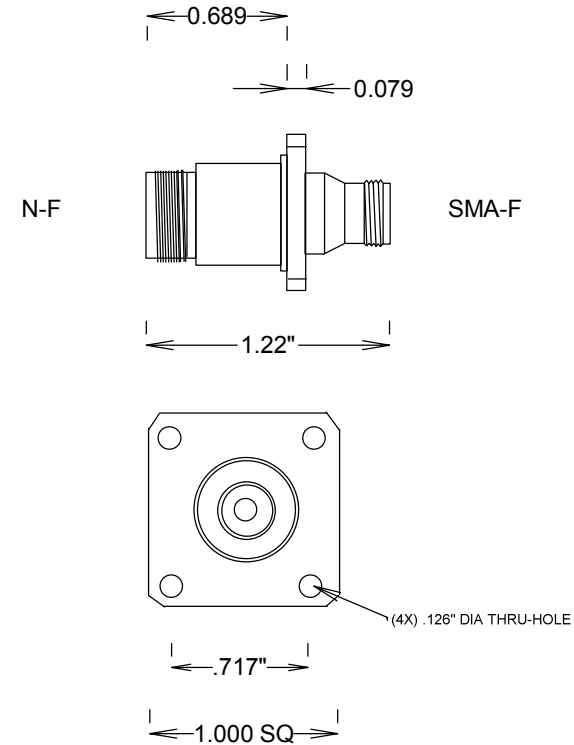
## SPECIFICATIONS

### ELECTRICAL

FREQUENCY: 0-8 GHZ  
IMPEDANCE: 50 OHMS  
VSWR: 1.2:1 MAX

### MECHANICAL

MATERIALS BODY NICKEL PLATED BRASS  
MATERIALS CONTACTS BeCu  
CONTACT PLATING: Au PLATING PER MIL-G-45204  
INSULATOR: TEFLON  
INTERFACE: MIL-STD-348A  
DURABILITY: 100 CYCLES MIN



**FAIRVIEW MICROWAVE INC.**

ALLEN, TX 75013 WWW.FAIRVIEWMICROWAVE.COM

TITLE

**N-SMA F/F 8GHZ FLANGE ADAPTER**

SIZE CAGE CODE DWG NO

**A**

**3FKR5**

**SM4228**

REV  
**A**

SCALE

SHEET