

# N-SMA F/F 12.4 GHZ FLANGE ADAPTER

SM4224

## SPECIFICATIONS

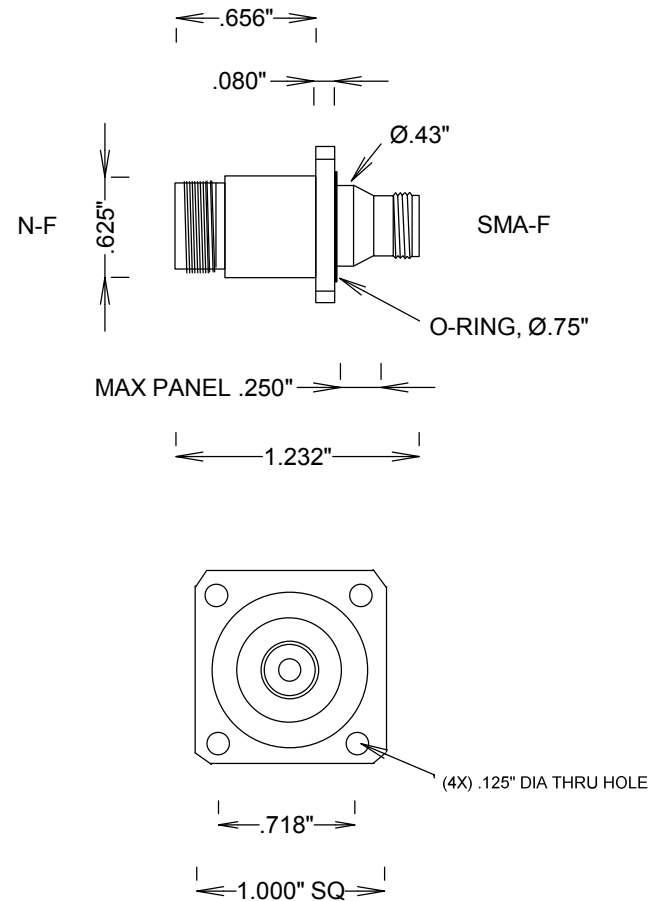
### ELECTRICAL

FREQUENCY: 0-12.4 GHZ  
 IMPEDANCE: 50 OHMS  
 VSWR: 1.25:1 MAX

### MECHANICAL

BODY N: NICKEL PLATED BRASS  
 BODY SMA: PASSIVATED STAINLESS STEEL  
 CONTACTS BeCu Au PLATING MIL-G-45204  
 INSULATOR: TEFLON  
 INTERFACE: MIL-STD-348A  
 ROHS COMPLIANT

O-RING ON SMA SIDE



				<b>FAIRVIEW MICROWAVE INC.</b>	
				ALLEN, TX 75013 <a href="http://WWW.FAIRVIEWMICROWAVE.COM">WWW.FAIRVIEWMICROWAVE.COM</a>	
				TITLE	
				N-SMA F/F 12.4 GHZ FLANGE ADAPTER	
SIZE	CAGE CODE	DWG NO	<b>SM4224</b>		
<b>A</b>	<b>3FKR5</b>				
SCALE			SHEET		REV <b>A</b>