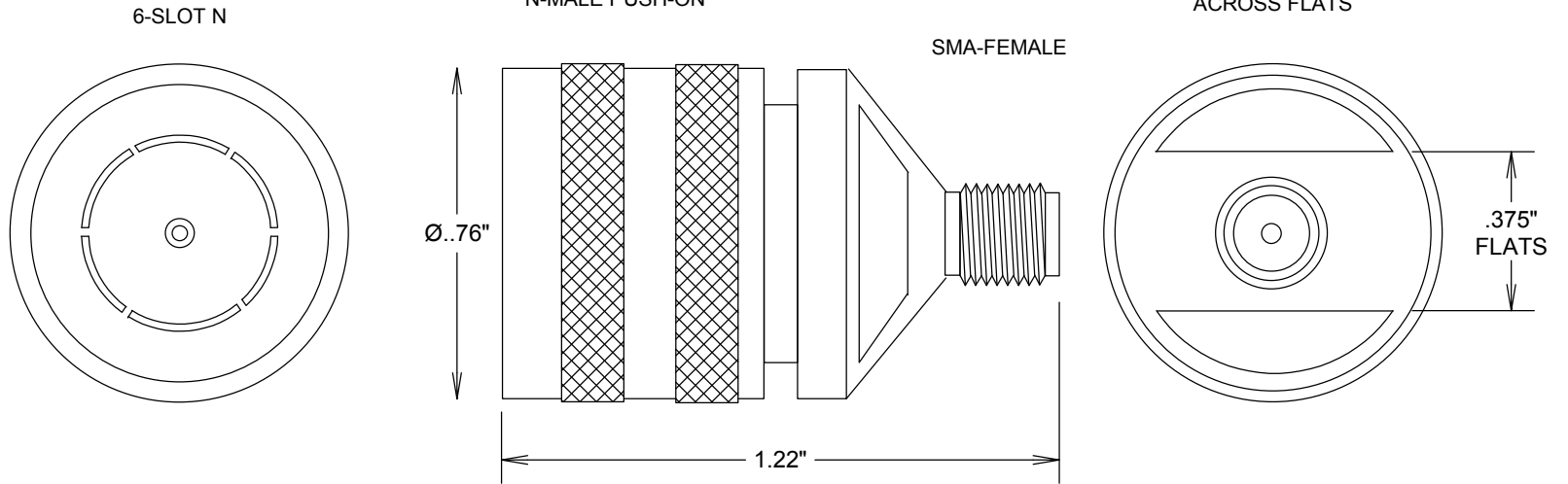


N/M/PUSH-ON TO SMA/F ADAPTER

SM4223



SPECIFICATIONS

ELECTRICAL

FREQUENCY: 0-11 GHZ
IMPEDANCE: 50 OHMS
VSWR: 1.25:1 MAX

MECHANICAL

MATERIALS BODY NICKEL PLATED BRASS
MATERIALS CONTACTS BeCu
CONTACT PLATING: Au PER MIL-G-45204
INSULATOR: TEFLON
IN ACCORDANCE WITH MIL-PRF-39012

ROHS COMPLIANT

FAIRVIEW MICROWAVE INC.

ALLEN, TX 75013 WWW.FAIRVIEWMICROWAVE.COM

TITLE

N/M/PUSH-ON TO SMA/F ADAPTER

SIZE	CAGE CODE	DWG NO	REV
A	3FKR5	SM4223	--
SCALE	SHEET		