

SMA-N ADAPTERS BRASS

SM4215, SM4217, SM4219, SM4221

SPECIFICATIONS

ELECTRICAL

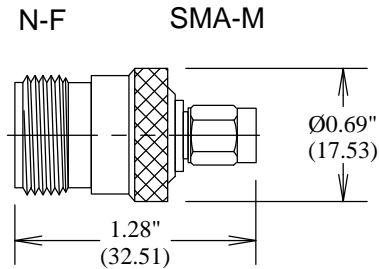
FREQUENCY: 0-12.4GHZ
 IMPEDANCE: 50 OHMS
 VSWR: 1.15:1 MAX @ 8GHZ
 VSWR: 1.2:1 MAX @ 12.4 GHZ
 VRMS: 500 V SEA LEVEL

MECHANICAL

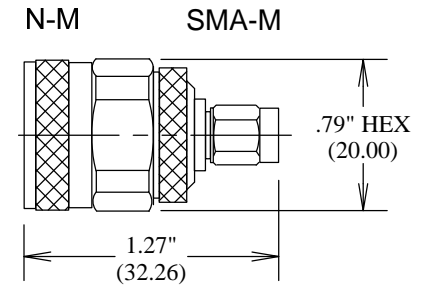
MATERIALS BODY: TRIMETAL PLATED BRASS
 MATERIALS CONTACTS:
 FEMALE: BeCu MALE: BRASS
 CONTACT PLATING: Au PER MIL-G-45204
 DIELECTRIC: TEFLON
 INTERFACE: MIL-STD-348A
 DURABILITY: 100 CYCLES MIN

ENVIRONMENTAL

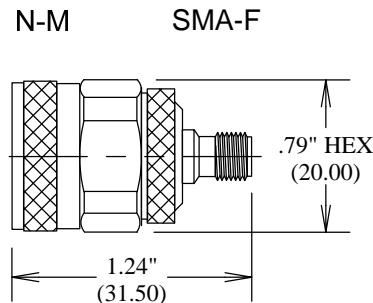
-65°C TO +165°C



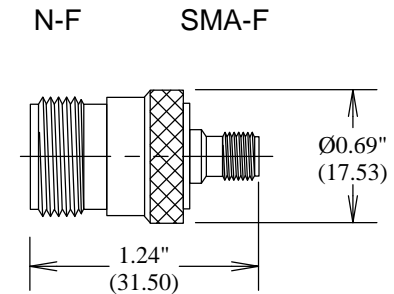
SM4219



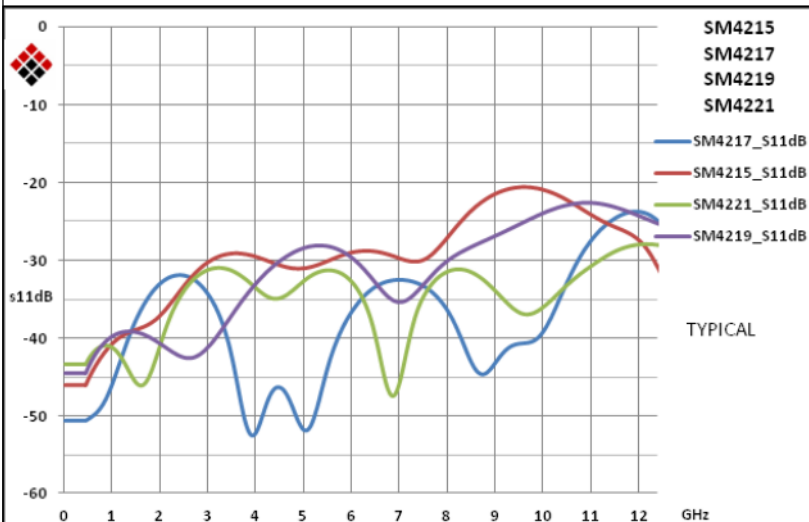
SM4221



SM4217



SM4215



FAIRVIEW MICROWAVE INC.

ALLEN, TX 75013 WWW.FAIRVIEWMICROWAVE.COM

TITLE

SMA-N ADAPTERS BRASS

SIZE	CAGE CODE	DWG NO	REV
A	3FKR5	SM4215, SM4217, SM4219, SM4221	B
SCALE	SHEET		

ALL DIMENSIONS IN inches(MM) Typical