

# N/M-SMA/F RIGHT ANGLE ADAPTER

SM4216

## SPECIFICATIONS

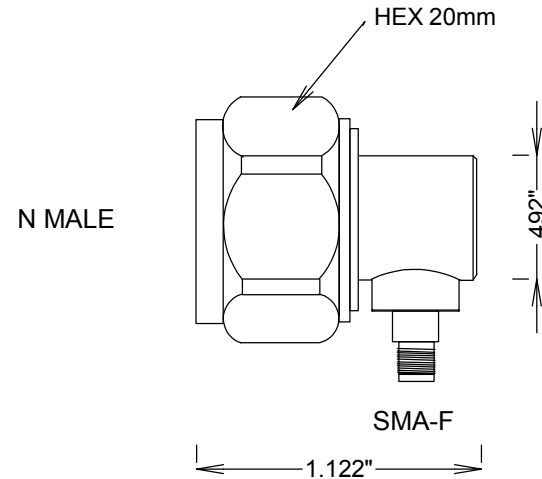
### ELECTRICAL

FREQUENCY: 0-6 GHZ  
IMPEDANCE: 50 OHMS  
VSWR: 1.20:1

### MECHANICAL

MATERIALS BODY: TRIMETAL PLATED BRASS  
MATERIALS CONTACTS MALE BRASS; FEMALE BeCu  
PLATING CONTACTS: Si  
DURABILITY: 100 CYCLES MIN  
INSULATOR: TEFLON  
INTERFACE: MIL-STD-348A  
TEMPERASTURE: -55 TO +125° C

ROHS COMPLIANT



**FAIRVIEW MICROWAVE INC.**

ALLEN, TX 75013 WWW.FAIRVIEWMICROWAVE.COM

TITLE

**N/M-SMA/F RIGHT ANGLE ADAPTER**

SIZE	CAGE CODE	DWG NO	REV
<b>A</b>	<b>3FKR5</b>	<b>SM4216</b>	<b>A</b>

SCALE

SHEET