

SMA/F-N/F BULKHEAD ADAPTER

SM4211

SPECIFICATIONS

ELECTRICAL

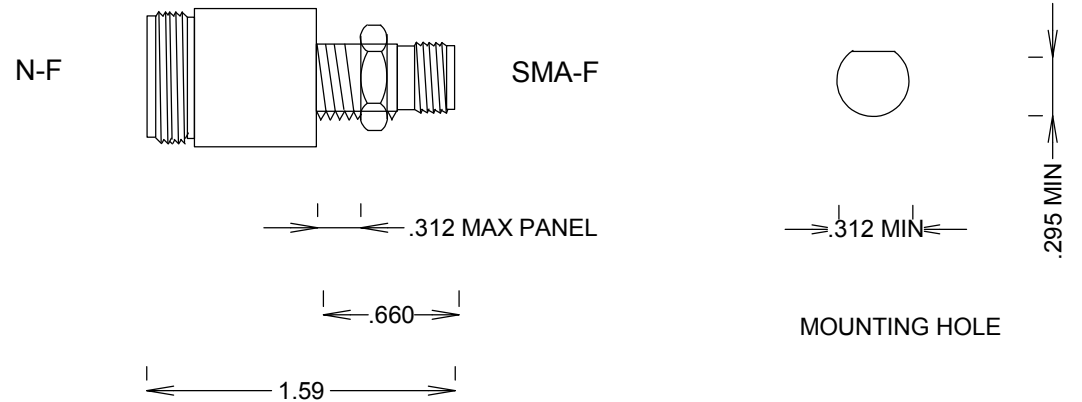
FREQUENCY: 0-12.4GHZ
IMPEDANCE: 50 OHMS
VSWR: 1.2:1 MAX @ 6 GHZ
VSWR: 1.3:1 MAX @ 12.4 GHZ
VRMS: 500 V SEA LEVEL

MECHANICAL

MATERIALS BODY: NICKEL PLATED BRASS
MATERIALS CONTACTS: BeCu
CONTACT PLATING: Au PER MIL-G-45204
DURABILITY: 100 CYCLES MIN

ENVIRONMENTAL

-65 TO +165 DEG C



FAIRVIEW MICROWAVE INC.

ALLEN, TX 75013 WWW.FAIRVIEWMICROWAVE.COM

TITLE

SMA/F-N/F BULKHEAD ADAPTER

SIZE	CAGE CODE	DWG NO	REV
A	3FKR5	SM4211	A
SCALE	SHEET		