

N-SMA F/F 18GHZ FLANGE ADAPTER

SM4208

SPECIFICATIONS

ELECTRICAL

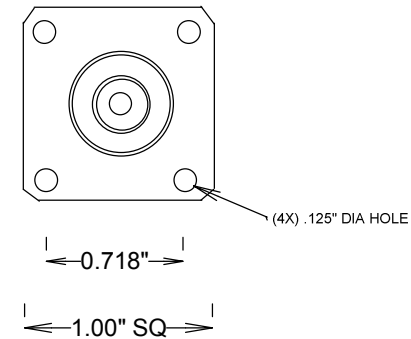
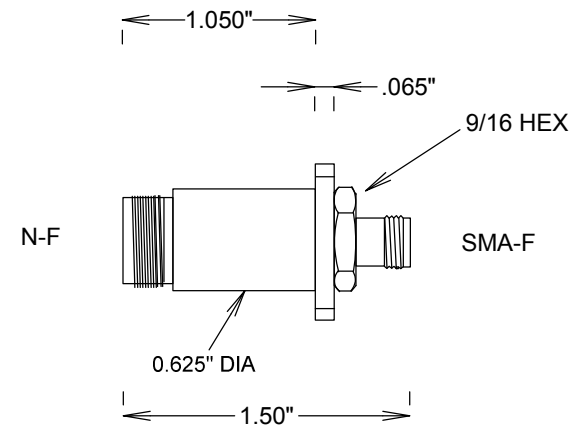
FREQUENCY: 0-18 GHZ
 IMPEDANCE: 50 OHMS
 VSWR: 1.15:1 MAX

MECHANICAL

MATERIALS BODY PASS STAINLESS STEEL
 MATERIALS CONTACTS BeCu
 INSULATOR: TEFLON
 CONTACT PLATING: Au MIL-G-45204
 DURABILITY: 500 CYCLES MIN
 INTERFACE: MIL-STD-348A
 ENVIRONMENTAL

CORROSION MIL-STD-202
 VIBRATION MIL-STD-202
 SHOCK MIL-STD-202

ROHS COMPLIANT



FAIRVIEW MICROWAVE INC.

ALLEN, TX 75013 WWW.FAIRVIEWMICROWAVE.COM

TITLE

N-SMA F/F 18GHZ FLANGE ADAPTER

SIZE A	CAGE CODE 3FKR5	DWG NO SM4208	REV A
------------------	--------------------	-------------------------	-----------------

SCALE	SHEET
-------	-------