

N/M-TNC/F RIGHT ANGLE ADAPTER

SM4160

SPECIFICATIONS

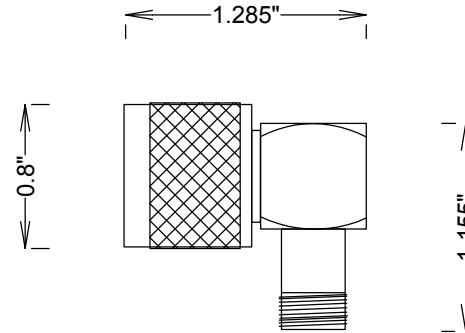
ELECTRICAL

FREQUENCY: 0-6 GHZ
IMPEDANCE: 50 OHMS
VSWR: 1.25:1 MAX

MECHANICAL

MATERIALS BODY NICKEL PLATED BRASS
MATERIAL CONTACT: FEMALE - BeCu, MALE - BRASS
CONTACT PLATING: SILVER

ROHS COMPLIANT



FAIRVIEW MICROWAVE INC.

ALLEN, TX 75013 WWW.FAIRVIEWMICROWAVE.COM

TITLE

N/M-TNC/F RIGHT ANGLE ADAPTER

SIZE	CAGE CODE	DWG NO	REV
A	3FKR5	SM4160	--

SCALE

SHEET