

TNC/F-N/F 11GHZ BULKHEAD ADAPTER

SM4149

SPECIFICATIONS

ELECTRICAL:

FREQUENCY: 0-11 GHZ
 IMPEDANCE: 50 OHMS
 VSWR: 1.25:1 MAX

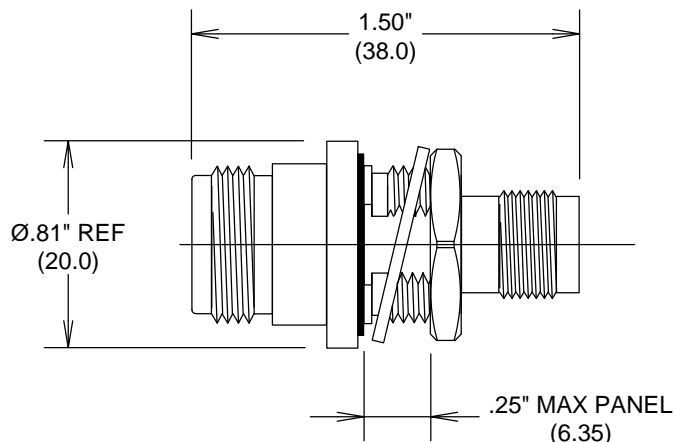
MECHANICAL:

MATERIALS BODY Ni PLATED BRASS
 MATERIALS CONTACTS BeCu
 CONTACT PLATING: Au PER MIL-G-45204
 INSULATOR PTFE
 DURABILITY: 500 CYCLES MIN

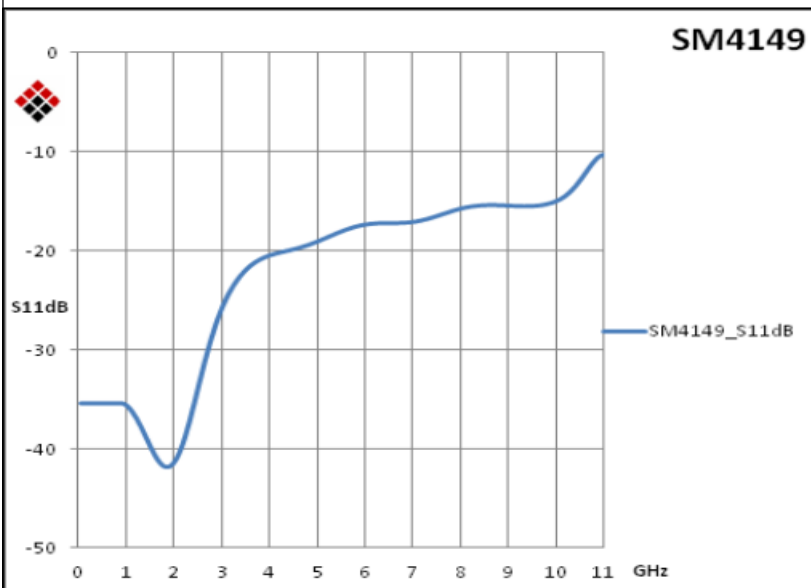
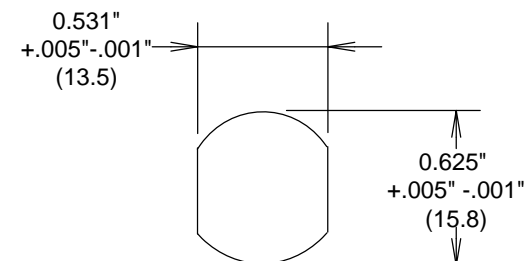
ENVIRONMENTAL

CORROSION: MIL-STD-202
 VIBRATION: MIL-STD-202
 SHOCK: MIL-STD-202

ROHS COMPLAINT



RECOMMENDED CUTOUT



FAIRVIEW MICROWAVE INC. ALLEN, TX 75013 WWW.FAIRVIEWMICROWAVE.COM			
TNC/F-N/F 11GHZ BULKHEAD ADAPTER			
SIZE	CAGE CODE	DWG NO	REV
A	3FKR5	SM4149	C
SCALE			SHEET

ALL DIMENSIONS IN inches(MM) Typical