

N-N F/F 12.4GHZ BULKHEAD HERMETIC 75 OHMS

SM4057

SPECIFICATIONS

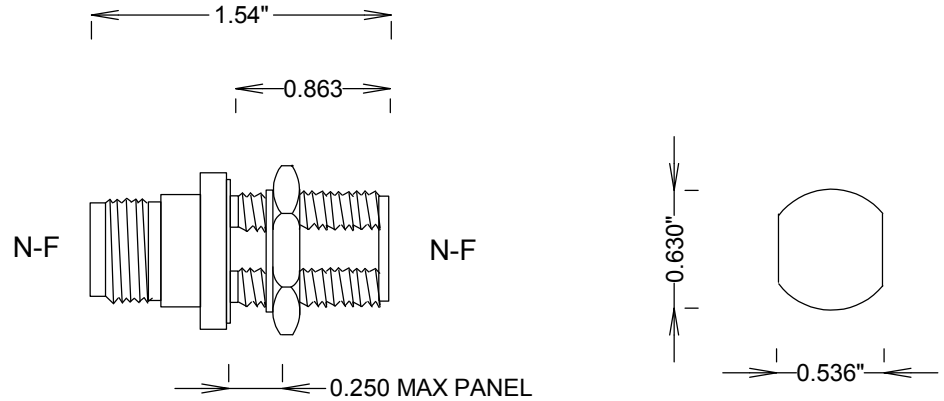
ELECTRICAL

FREQUENCY: 0-12.4 GHZ
IMPEDANCE: 75 OHMS
VSWR: 1.25:1 MAX

MECHANICAL

MATERIALS BODY: NICKEL PLATED BRASS
MATERIALS CONTACTS: BeCu
CONTACT PLATING: Si QQ-S-365

HERMETIC



RECOMMENDED
PANEL LAYOUT

FAIRVIEW MICROWAVE INC.

ALLEN, TX 75013 WWW.FAIRVIEWMICROWAVE.COM

TITLE

**N-N F/F 12.4GHZ BULKHEAD
HERMETIC 75 OHMS**

SIZE

A

CAGE CODE

3FKR5

DWG NO

SM4057

REV

A

SCALE

SHEET