

# N-N F/F 12GHZ BULKHEAD ISOLATED GROUND

SM4051

## SPECIFICATIONS

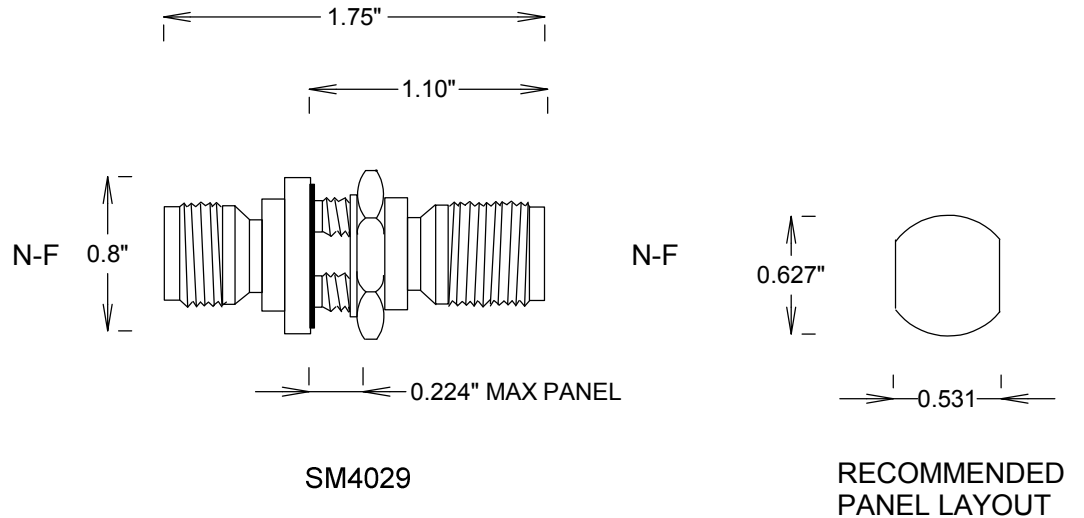
### ELECTRICAL

FREQUENCY: 0-12.4 GHZ  
IMPEDANCE: 75 OHMS  
VSWR: 6GHZ 1.2:1 MAX  
VSWR 12.4GHZ: 1.4:1 MAX  
ISOLATED GROUND

### MECHANICAL

MATERIALS BODY NICKEL PLATED BRASS  
CONTACT: BeCu  
CONTACT PLATING: Au MIL-G-45204  
MATERIAL INSULATOR: TEFLON  
INTERFACE: MIL-STD-348A

ROHS COMPLIANT



**FAIRVIEW MICROWAVE INC.**

ALLEN, TX 75013 WWW.FAIRVIEWMICROWAVE.COM

TITLE

**N-N F/F 12GHZ BULKHEAD  
ISOLATED GROUND**

|          |              |               |     |
|----------|--------------|---------------|-----|
| SIZE     | CAGE CODE    | DWG NO        | REV |
| <b>A</b> | <b>3FKR5</b> | <b>SM4051</b> | --  |

SCALE

SHEET