

N-N M/M 18GHZ FLANGE ADAPTER

SM4041

SPECIFICATIONS

ELECTRICAL

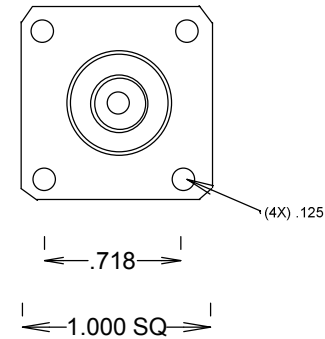
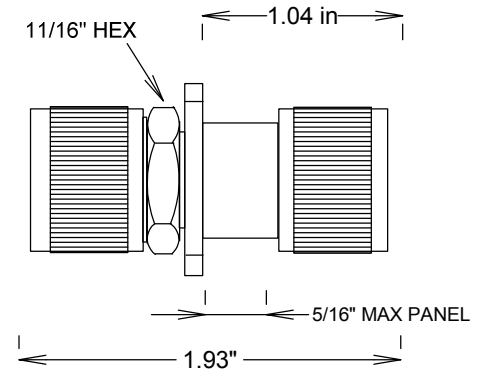
FREQUENCY: 0-18 GHZ
IMPEDANCE: 50 OHMS
VSWR: 1.15:1 MAX

MECHANICAL

MATERIALS BODY PASS STAINLESS STEEL
MATERIALS CONTACTS BeCu Au PLATING MIL-G-45204
INTERFACE: MIL-STD-348A
DURABILITY: 500 CYCLES MIN

ENVIRONMENTAL

TEMP: -65 TO +125 DEG C



FAIRVIEW MICROWAVE INC.

ALLEN, TX 75013 WWW.FAIRVIEWMICROWAVE.COM

TITLE

N-N M/M 18GHZ FLANGE ADAPTER

| SIZE | CAGE CODE | DWG NO | REV |
|----------|--------------|---------------|-----|
| A | 3FKR5 | SM4041 | -- |

SCALE

SHEET