

N-N F/F 12GHZ FLANGE ADAPTER

SM4035

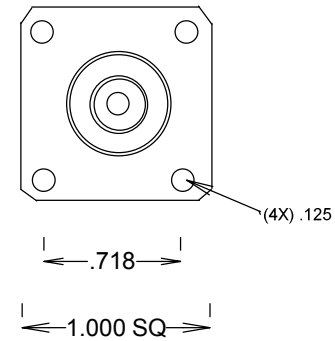
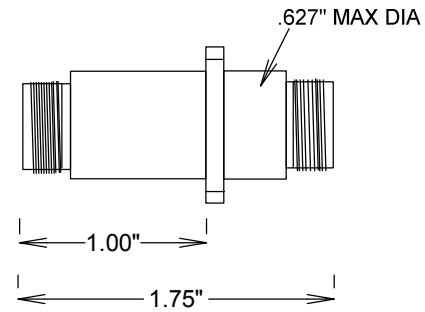
SPECIFICATIONS

ELECTRICAL

FREQUENCY: 0-12.4 GHZ
IMPEDANCE: 50 OHMS
VSWR: 1.2:1 MAX @ 6GHZ
VSWR: 1.4:1 MAX @ 12GHZ

MECHANICAL

MATERIALS BODY: NICKLE PLATED BRASS
MATERIALS CONTACTS: BeCu, Si PLATING
INTERFACE: MIL-STD-348A



FAIRVIEW MICROWAVE INC.

ALLEN, TX 75013 WWW.FAIRVIEWMICROWAVE.COM

TITLE

N-N F/F 12GHZ FLANGE ADAPTER

SIZE	CAGE CODE	DWG NO	REV
A	3FKR5	SM4035	A

SCALE

SHEET