

F F/F ADAPTER

SM3810

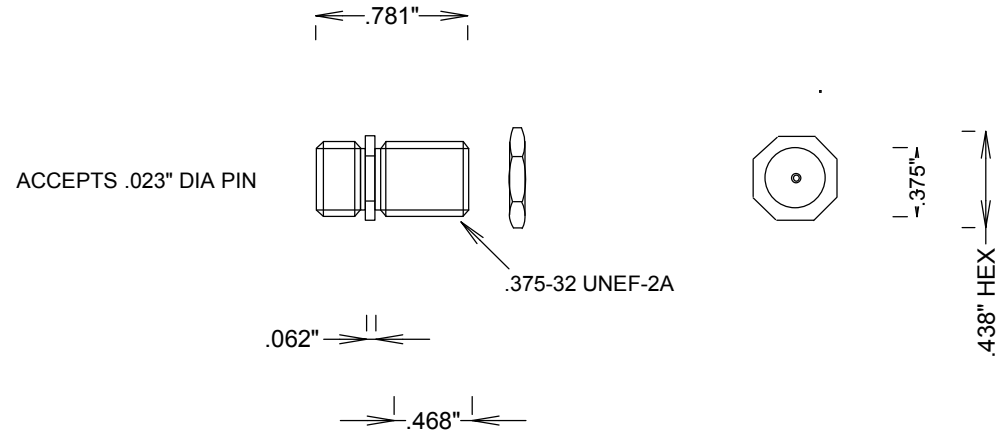
SPECIFICATIONS

ELECTRICAL

FREQUENCY: 0-1 GHZ
IMPEDANCE: 75 OHMS
VSWR: 1.12:1 MAX

MECHANICAL

MATERIALS BODY: NI PLATED BRASS
CONTACT PLATING: Au



				FAIRVIEW MICROWAVE INC.	
				ALLEN, TX 75013 WWW.FAIRVIEWMICROWAVE.COM	
				TITLE	
				F F/F ADAPTER	
SIZE		CAGE CODE	DWG NO	REV	
A		3FKR5	SM3810	--	
SCALE			SHEET		